

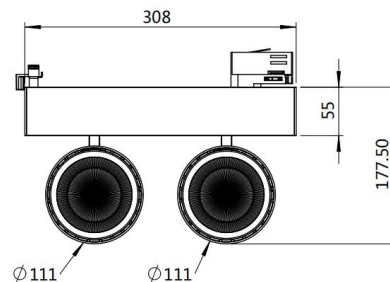
Cylinder series

TL51-2X28W

optical lens

Technical Parameters:

Name	Parameters
Light source:	COB
Input Voltage:	AC220~240V 50/60Hz
LED Current:	700mA, 35-37V
Beam Angle:	15°/24°/36°
Life Time:	> 50,000h - L80 - B10 (Ta 25° C)
Operating temperature:	-20°C~40°C
Certificate:	CE/RoHS
Weight:	1.36kg

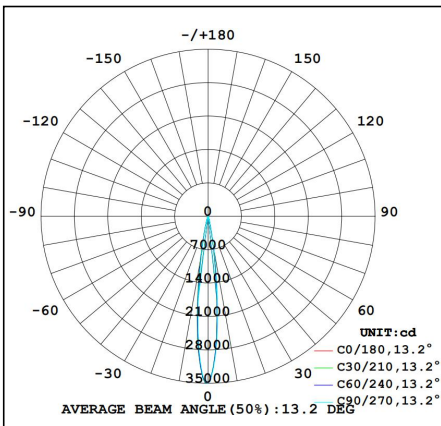


Ordering Information:

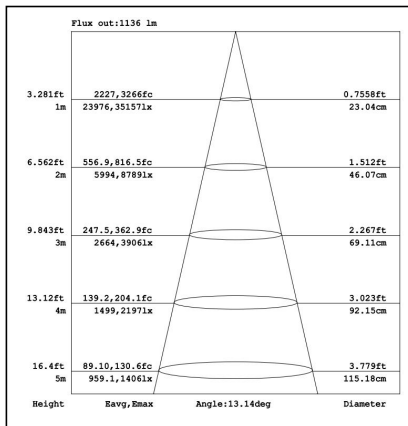
○ White ● Black

Power	CRI	Beam Angle	Luminous	CCT	Housing	Part Number
2x28W	>80	▲ 12°	2X2825 lm	3000K	○	TL514-2X28W-830-W-12
					●	TL514-2X28W-830-B-12
		▲ 24°	2X2897 lm	4000K	○	TL514-2X28W-840-W-12
					●	TL514-2X28W-840-B-12
		▲ 36°	2X2803 lm	3000K	○	TL514-2X28W-830-W-24
					●	TL514-2X28W-830-B-24
	>90	▲ 12°	2X2871 lm	4000K	○	TL514-2X28W-840-W-24
					●	TL514-2X28W-840-B-24
		▲ 24°	2X2876 lm	3000K	○	TL514-2X28W-830-W-36
					●	TL514-2X28W-830-B-36
		▲ 36°	2X2942 lm	4000K	○	TL514-2X28W-840-W-36
					●	TL514-2X28W-840-B-36
	▲ 12°	2X2165 lm	3000K	○	TL514-2X28W-930-W-12	
				●	TL514-2X28W-930-B-12	
	▲ 24°	2X2159 lm	3000K	○	TL514-2X28W-930-W-24	
				●	TL514-2X28W-930-B-24	
	▲ 36°	2X2217 lm	3000K	○	TL514-2X28W-930-W-36	
				●	TL514-2X28W-930-B-36	

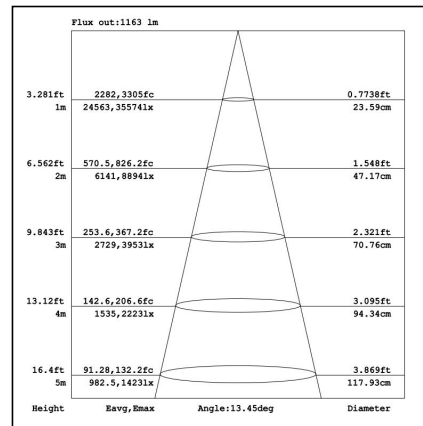
CRI80 12°



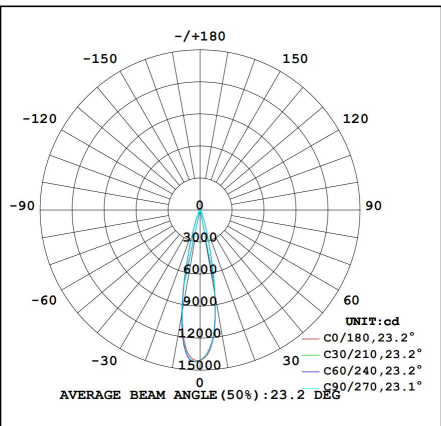
3000K



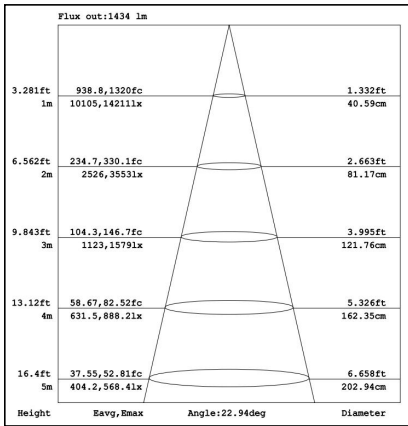
4000K



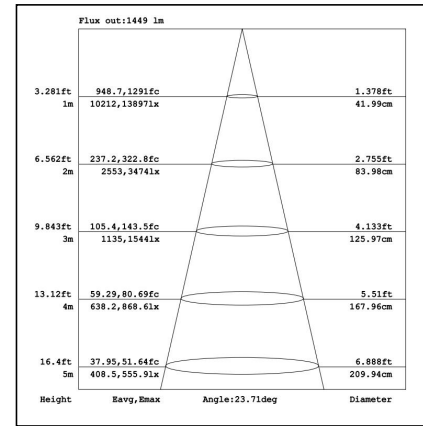
CRI80 24°



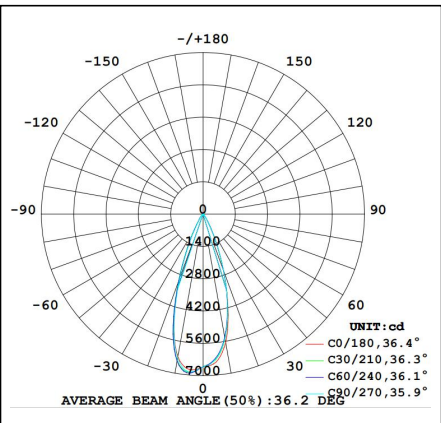
3000K



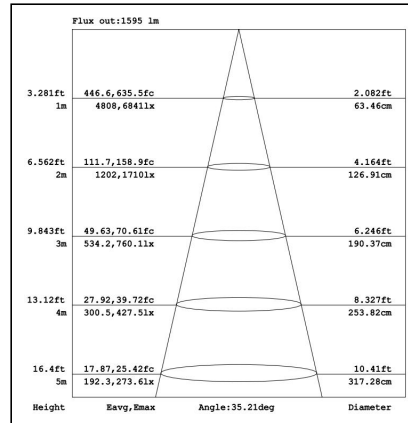
4000K



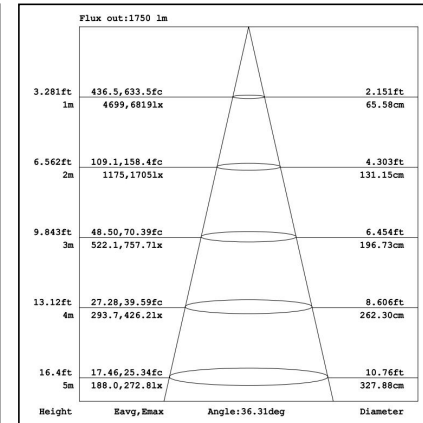
CRI80 36°



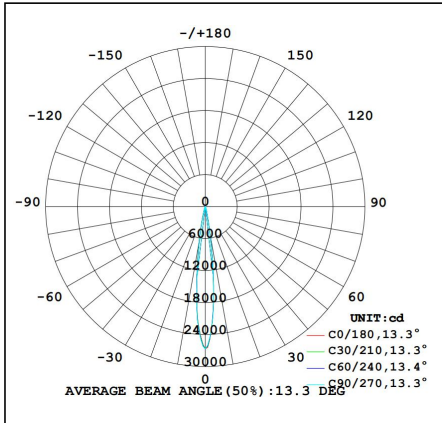
3000K



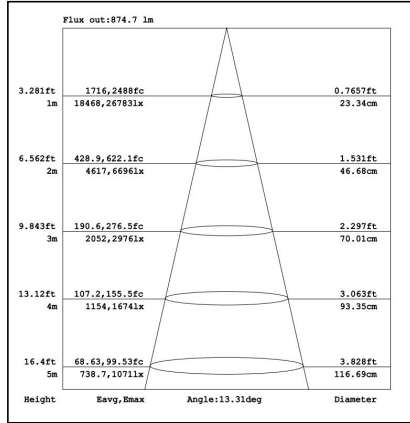
4000K



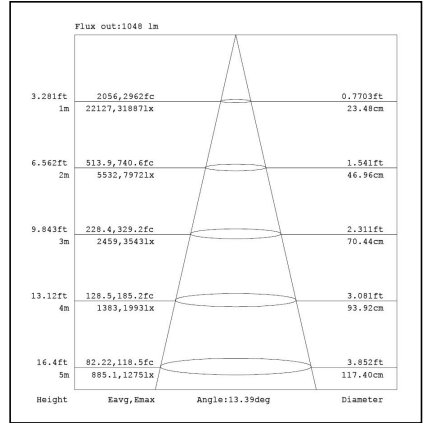
CRI90 12°



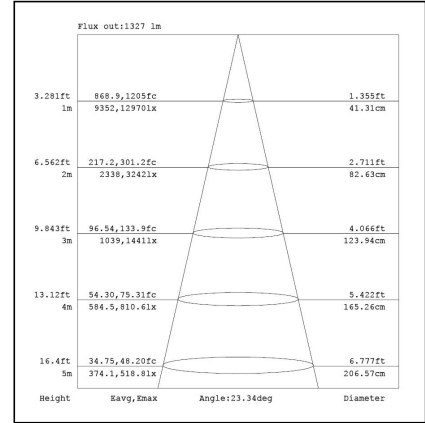
3000K



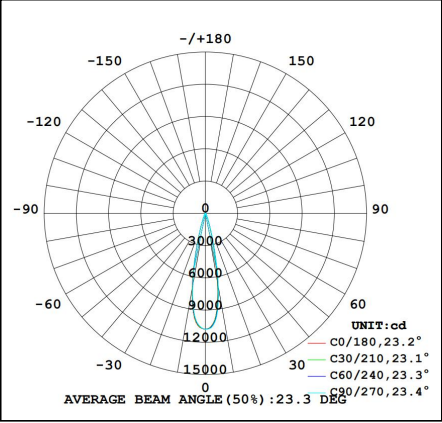
4000K



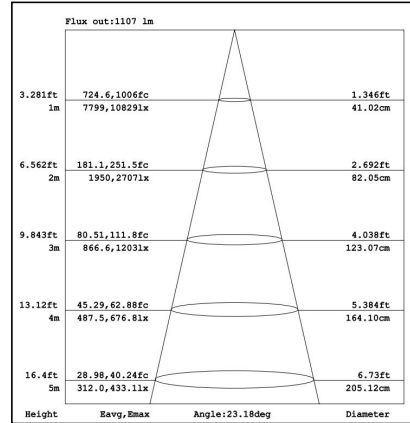
4000K



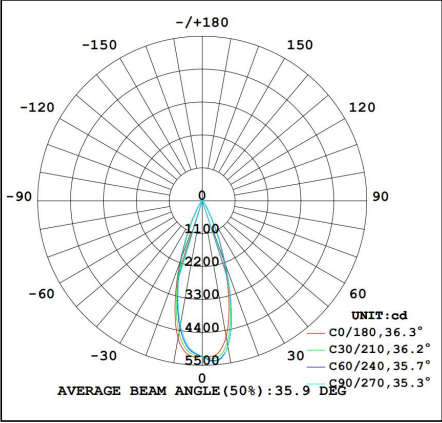
CRI90 24°



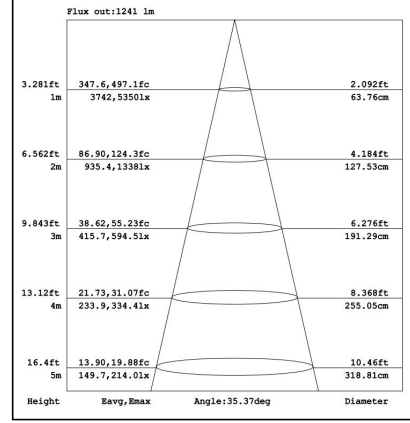
3000K



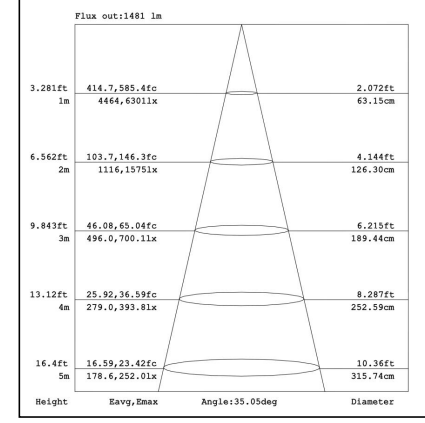
CRI90 36°



3000K

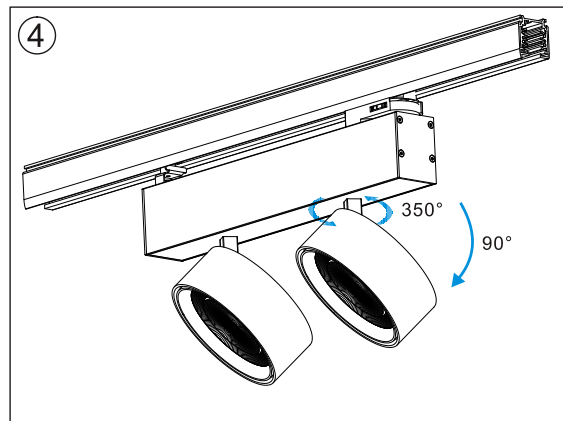
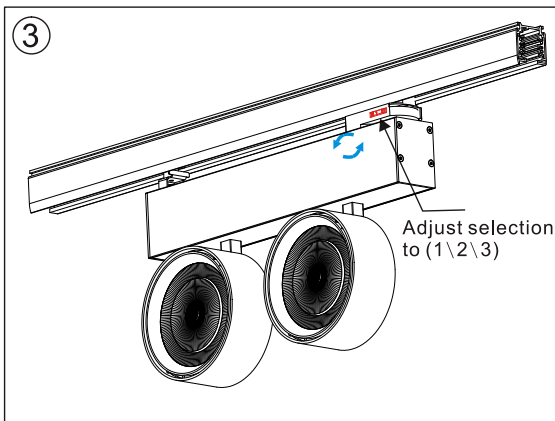
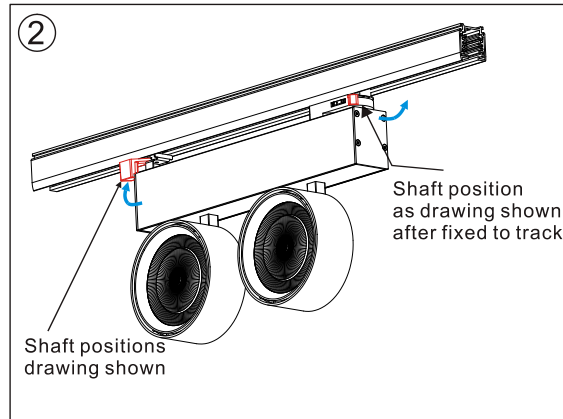
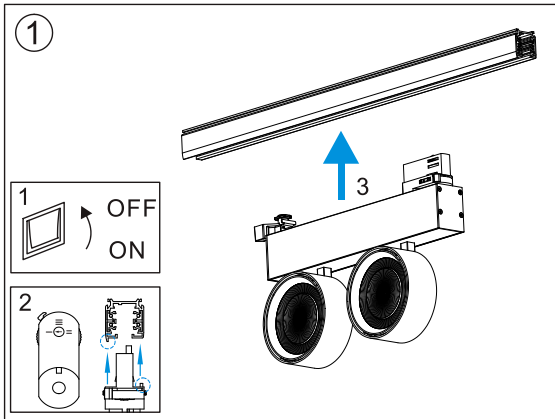


4000K

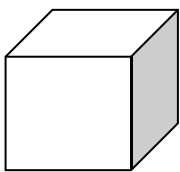


TL51 Tacklight Installation Instructions

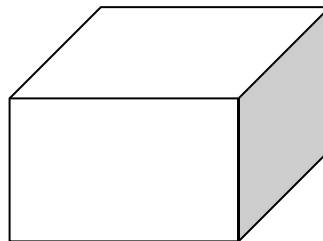
Adaptor installation diagram



Packaging:



Box
 L350*W240*H80mm
 1pc/box
 GW: 1.4kg/box



Outer carton
 L500*W365*H340mm
 8pcs/CTN
 GW: 12.5kg/carton