

Product information

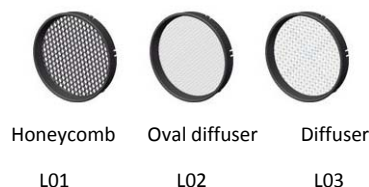






Product number:	TL44L-Pro Series
Track System:	3 wire, 4 wire, 6 wire
Input Voltage (v):	220-240V
Dimming:	On/Off, TRIAC, Knob, DALI
Light source:	COB LED
luminaire Lifetime:	50.000h (L80-B10, Ta25°C)
Rotation Angle (degree):	350
Tilting Angle (degree):	90
IP Rating:	20
Working Temperature (°C)	-5 ~ +30
Storage Temperature (°C)	-20 ~ +50
Material:	Aluminium
Fitting Colors:	9016 Sandy White / 9017 Sandy Black

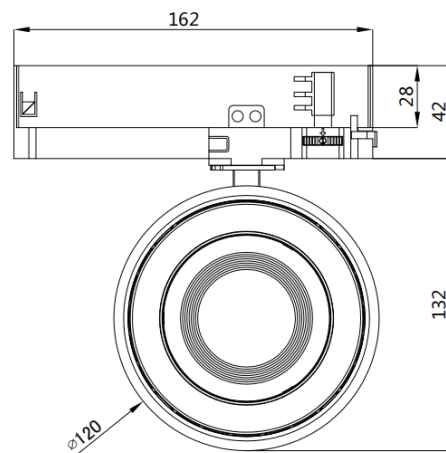


Packaging information

N.W. lamp (Kg)	0.52
G.W. Carton (Kg)	10
Master carton dimensions(mm)	430x430x390
Quantity per carton(pcs):	16



Beam	Watt	CRI	Luminous	CCT	Code
17 	28W	90	2453.5	4000K	TL444L-Pro-28G40-S
			2314.7	3000K	TL444L-Pro-28G30-S
			2152.6	2700K	TL444L-Pro-28G27-S
23 	28W	90	2409.2	4000K	TL444L-Pro-28G40-M
			2272.9	3000K	TL444L-Pro-28G30-M
			2113.7	2700K	TL444L-Pro-28G27-M
34 	28W	90	2408.8	4000K	TL444L-Pro-28G40-F
			2272.5	3000K	TL444L-Pro-28G30-F
			2113.4	2700K	TL444L-Pro-28G27-F
45 	28W	90	2410.9	4000K	TL444L-Pro-28G40-WF
			2274.5	3000K	TL444L-Pro-28G30-WF
			2115.2	2700K	TL444L-Pro-28G27-WF



Code composition: TL44 X L - Pro - X 28 G30 - B S - L01

① ② ③ ④ ⑤ ⑥ ⑦ ⑧ ⑨ ⑩

① Code	② Track	③ Dimensions	④ Series	⑤ Dimming type	⑥ Watt	⑦ LED Kelvin & CRI	⑧ Finishes	⑨ Optical angle	⑩ Accessories
TL44	6 Wire	L	Pro	X Not-Driver	28W	H27 2700 >95	White	S Spot	L01 Honeycomb
	4 Wire			T TRIAC		G30 3000 >90	Black	M Medium	L02 Oval diffuser
	3 Wire			K Knob		G40 4000 >90		F Flood	L03 Diffuser
				D DALI		E50 5000 >80		WF Wide Flood	