

iTrack Vario Series

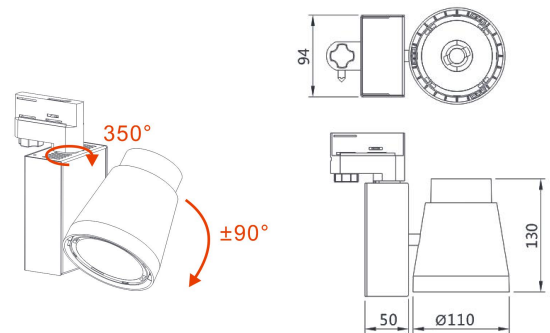
TL32-20W

Reflector



Technical Parameters:

Name	Parameters
Light source:	COB
Input Voltage:	AC220~240V 50/60Hz
LED Current:	500mA, 35-37V
Rated life:	>50,000 hours
Operating temperature:	-20°C~40°C
Storage temperature:	-30°C~60°C
Certificate:	CE/RoHS
Weight:	1.25KG



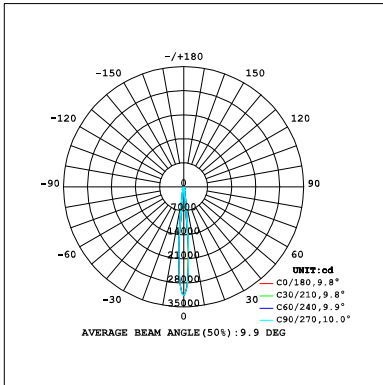
Ordering Information:

○ White ● Black

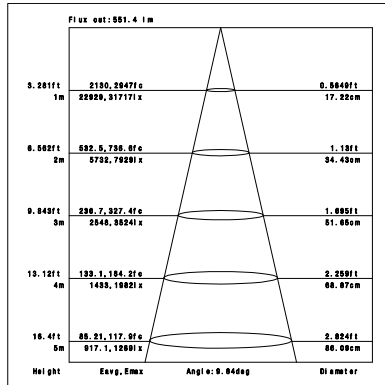
Power	CRI	Beam Angle	Luminous	CCT	Housing	Part Number
20W	>80	▲ 10°	2040 lm	3000K	○	TL324-20W-830-W-10
					●	TL324-20W-830-B-10
		▲ 20°	2050 lm	4000K	○	TL324-20W-840-W-10
					●	TL324-20W-840-B-10
		▲ 38°	2060 lm	3000K	○	TL324-20W-830-W-20
					●	TL324-20W-830-B-20
	>90	▲ 10°	2060 lm	4000K	○	TL324-20W-840-W-20
					●	TL324-20W-840-B-20
		▲ 20°	2050 lm	3000K	○	TL324-20W-830-W-38
					●	TL324-20W-830-B-38
		▲ 38°	2040 lm	4000K	○	TL324-20W-840-W-38
					●	TL324-20W-840-B-38
	>80	▲ 10°	1730 lm	3000K	○	TL324-20W-930-W-10
					●	TL324-20W-930-B-10
		▲ 20°	1870 lm	4000K	○	TL324-20W-940-W-10
					●	TL324-20W-940-B-10
		▲ 38°	1750 lm	3000K	○	TL324-20W-930-W-20
					●	TL324-20W-930-B-20
	>90	▲ 10°	1900 lm	4000K	○	TL324-20W-940-W-20
					●	TL324-20W-940-B-20
		▲ 20°	1750 lm	3000K	○	TL324-20W-930-W-38
					●	TL324-20W-930-B-38
		▲ 38°	1890 lm	4000K	○	TL324-20W-940-W-38
					●	TL324-20W-940-B-38

Technical Data test pattern

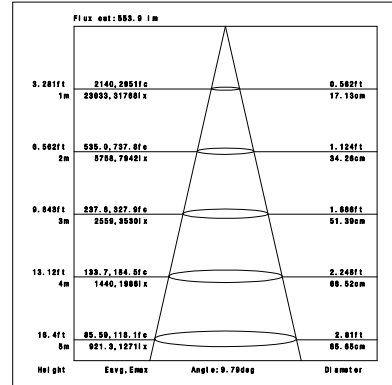
CRI80 10°



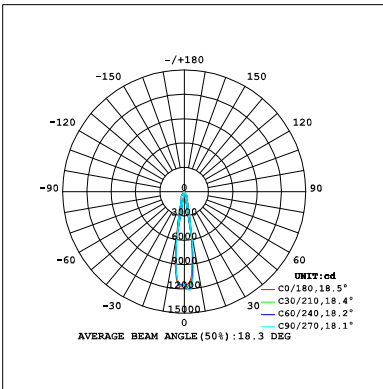
3000K



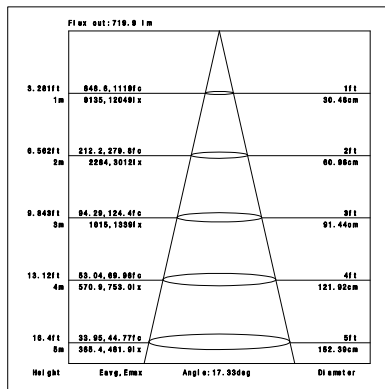
4000K



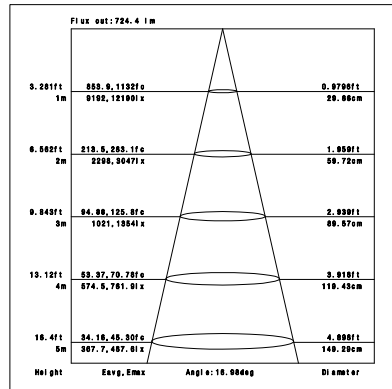
CRI80 20°



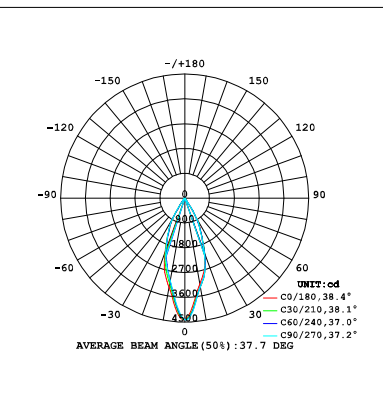
3000K



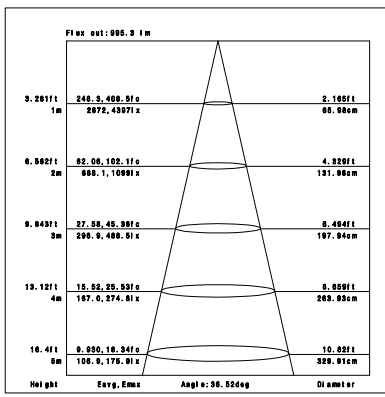
4000K



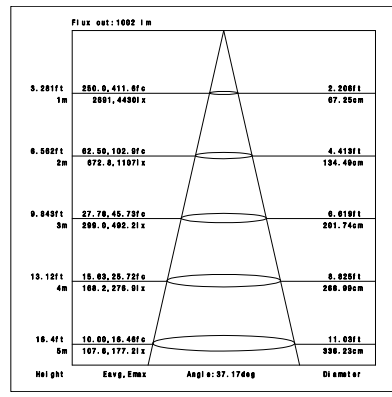
CRI80 38°



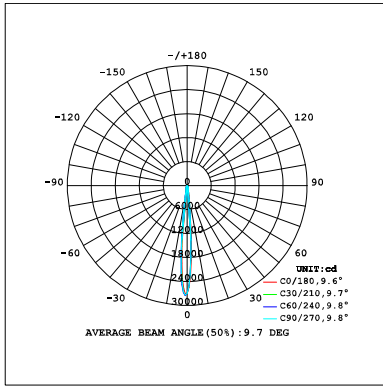
3000K



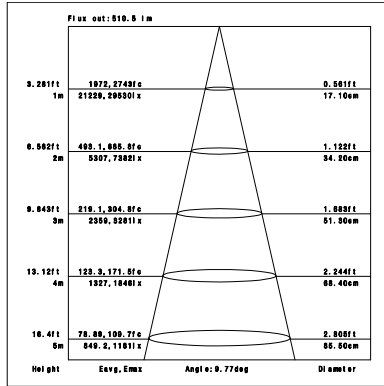
4000K



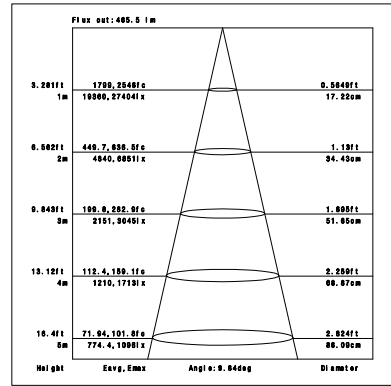
CRI90 10°



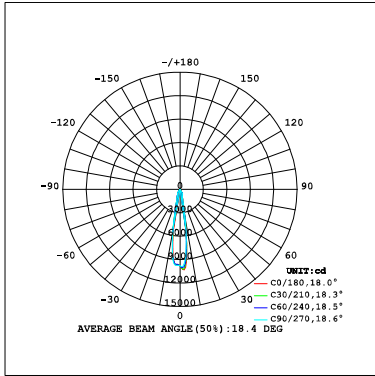
3000K



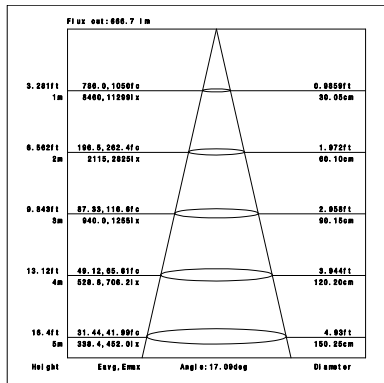
4000K



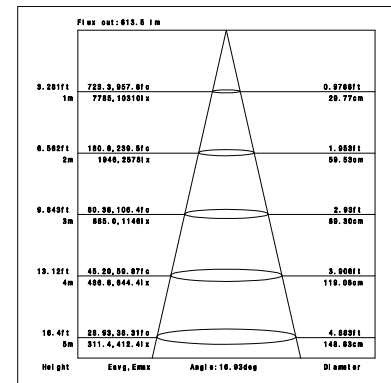
CRI90 20°



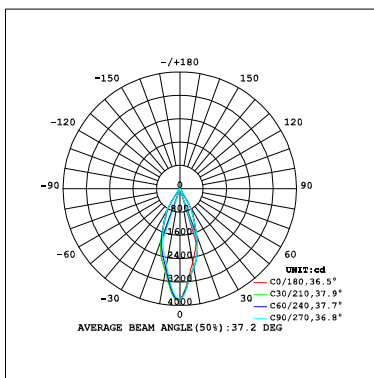
3000K



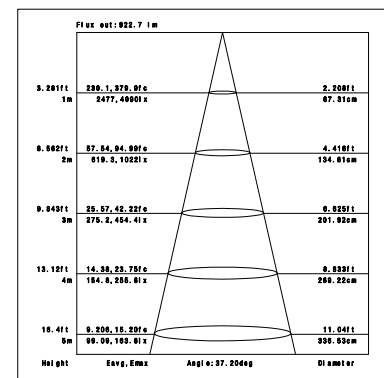
4000K



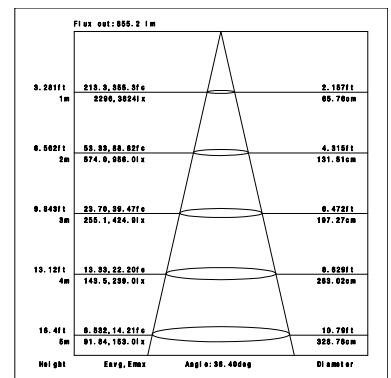
CRI90 38°



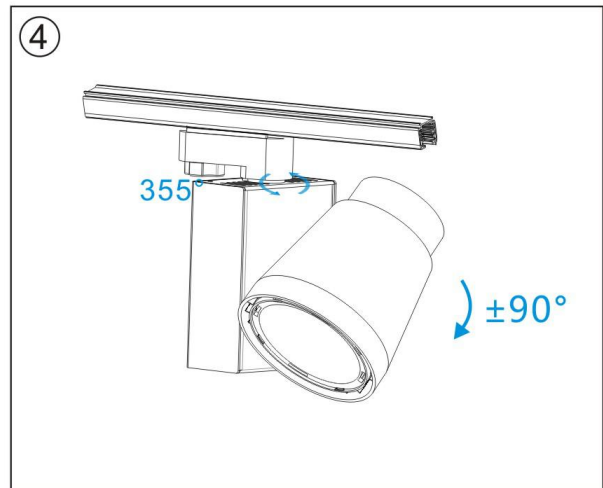
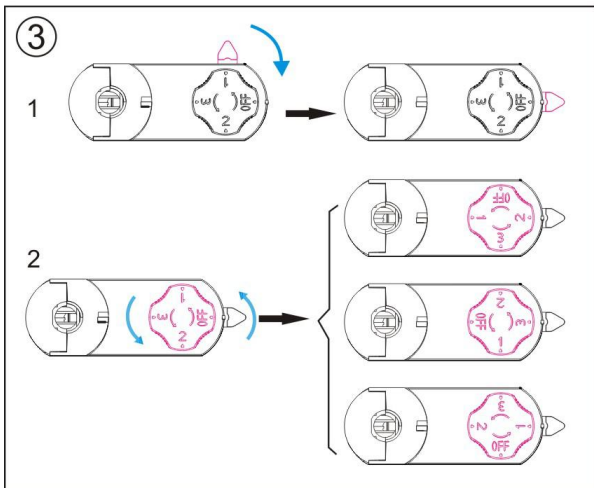
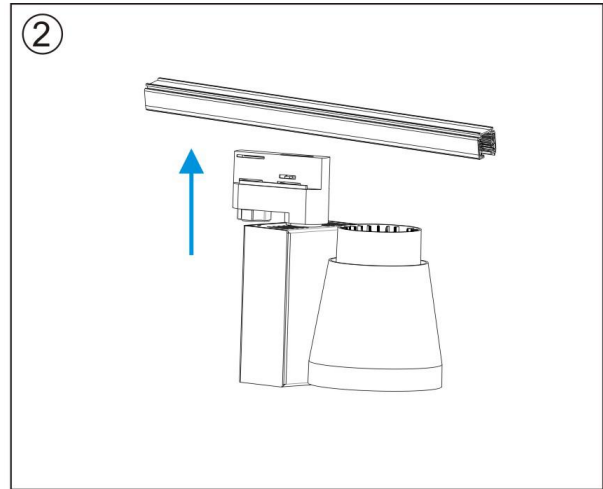
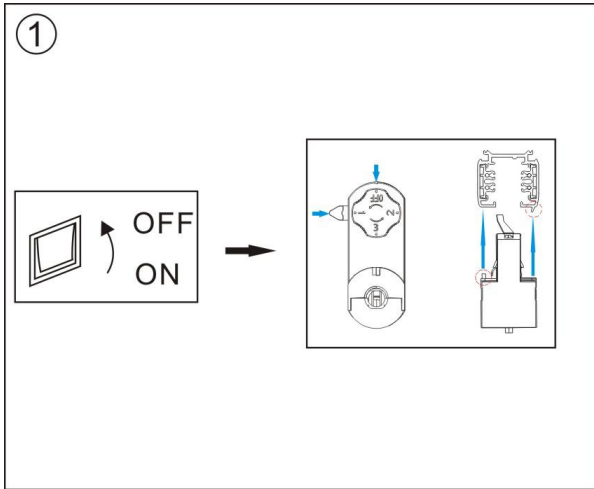
3000K



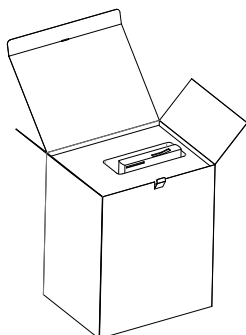
4000K



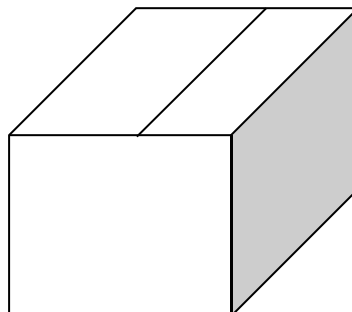
Installation instruction



Packaging:



Box
 L165*W130*H200mm
 1pc/box
 GW: 1.55kg/box



Outer carton
 L545xw355xH430mm
 16pcs/CTN
 GW: 26kg/carton

Product naming system

TL (X) XX X (H) – XW – X XX – X- XX

