

iGrid Series

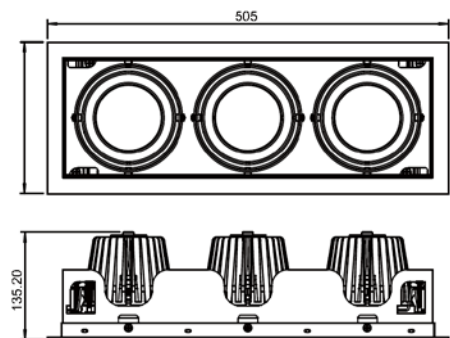
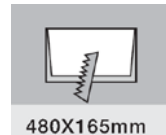
GL10-3X20W

Reflector



Technical Parameters:

Name	Parameters
Light source:	COB
Input Voltage:	AC220~240V 50/60Hz
LED Current:	500mA (35-37V)
Rated life:	>50,000 hours
Operating temperature:	-20°C~40°C
Storage temperature:	-30°C~60°C
Certificate:	TUV/CE/RoHS
Dimmability:	Dimmable Optional
Weight:	4.5KG



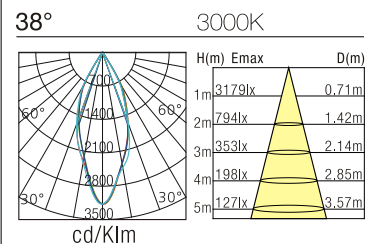
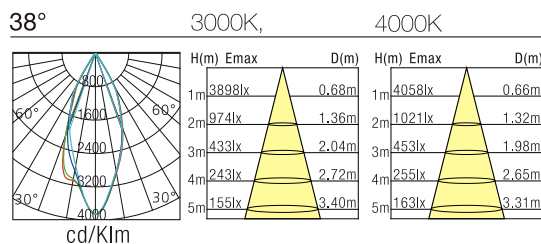
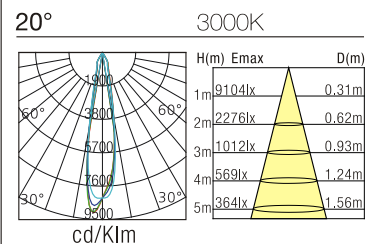
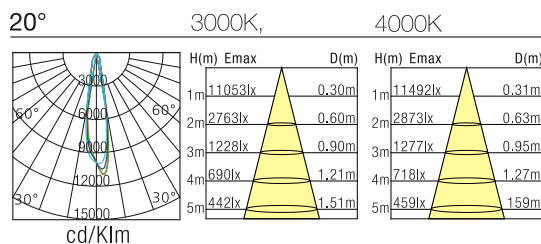
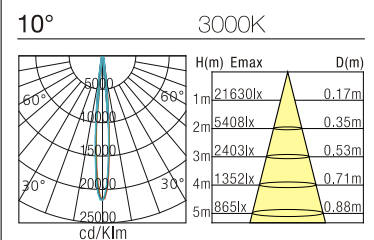
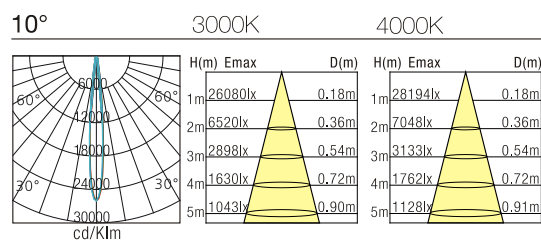
Ordering Information:

● White+Black

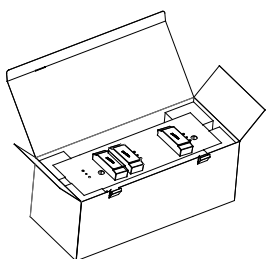
Power	CRI	Beam Angle	Luminous	CCT	Housing	Part Number
3X20W	>80	▲ 10°	5000 lm	3000K	●	GL1031-20W-830-W-10
			5100 lm	4000K	●	GL1031-20W-840-W-10
			5200 lm	5000K	●	GL1031-20W-850-W-10
	>80	▲ 20°	4900 lm	3000K	●	GL1031-20W-830-W-20
			5000 lm	4000K	●	GL1031-20W-840-W-20
			5100 lm	5000K	●	GL1031-20W-850-W-20
		▲ 38°	4900 lm	3000K	●	GL1031-20W-830-W-38
			4950 lm	4000K	●	GL1031-20W-840-W-38
			5100 lm	5000K	●	GL1031-20W-850-W-38
>90	▲ 10°	4000 lm	3000K	●	GL1031-20W-930-W-10	
		3900 lm	3000K	●	GL1031-20W-930-W-20	
		3800 lm	3000K	●	GL1031-20W-930-W-38	

Technical Data test pattern

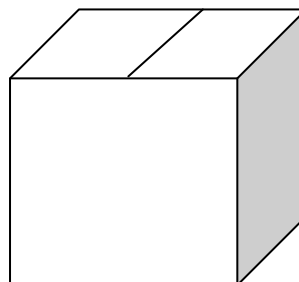
20W	CRI>80			CRI>90	
	LED			Luminaire	
Power	12.5W			20W	
Current	360mA			500mA	
Flux	1770lm	1826lm	1850lm	1949lm	2179lm
CCT	3000K	4000K	5000K	3000K	4000K
Color tolerance	3 SDCM				
Service life	>50000Hrs			>50000Hrs	
Beam Angle	120°			10°\20°\38°	
Typical Efficiency				88%	
Efficacy(lm/W)	141	146	148	97	109



Packaging:

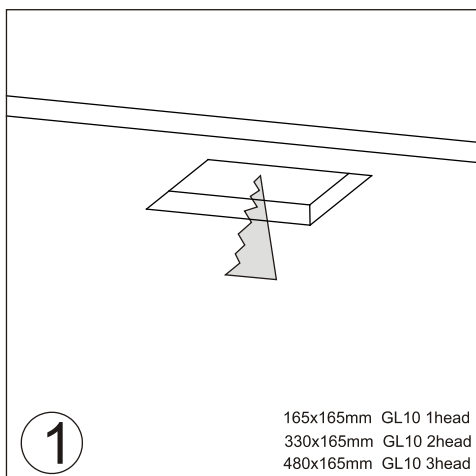


Box
L525*W210*H170mm
1pc/box
GW: 4.6kg/box

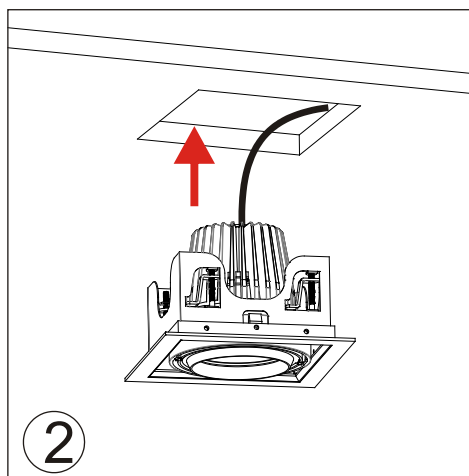


Outer carton
L550*W450*H360mm
4pcs/box
GW: 29kg/carton

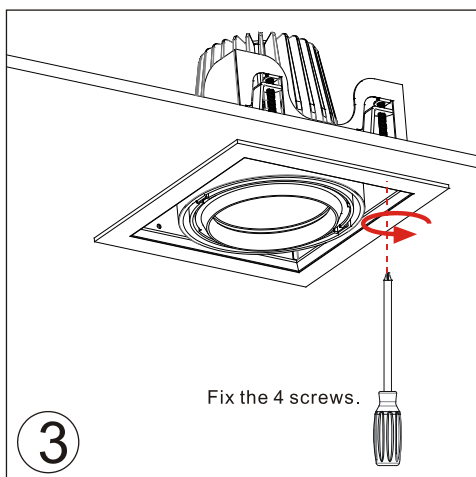
Installation instruction



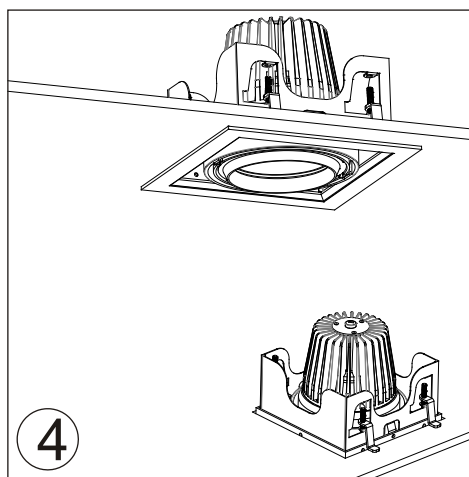
Ceiling Cut Hole



1, Connect Wire.
2, Put the lamp into the cut hole.



Use the screw driver to tighten the screw.



Done.

Product naming system

GL (X) XX X X - X - X XX - X - XX

