

iGrid Series

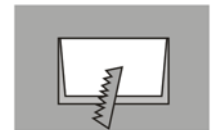
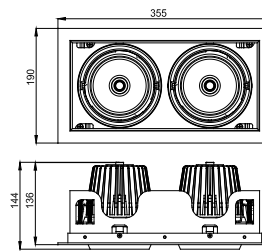
GL10-2X30W

Reflector



Technical Parameters:

Name	Parameters
Light source:	COB
Input Voltage:	AC220~240V 50/60Hz
LED Current:	700mA (35-37V)
Rated life:	>50,000 hours
Operating temperature:	-20°C~40°C
Storage temperature:	-30°C~60°C
Certificate:	TUV/CE/RoHS
Dimmability:	Dimmable Optional
Weight:	3.5KG



330X165mm

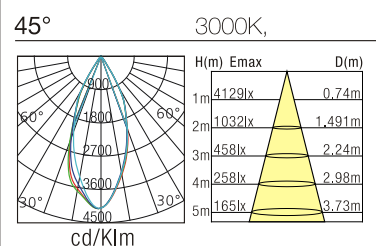
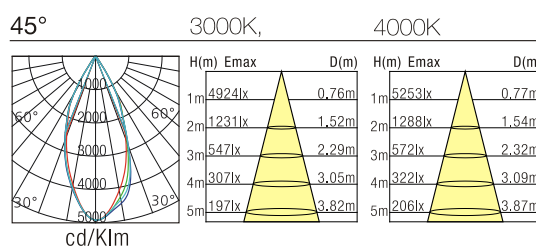
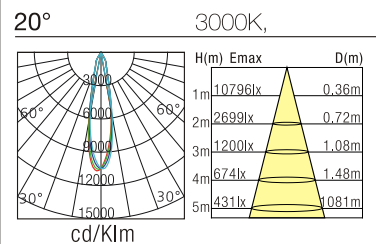
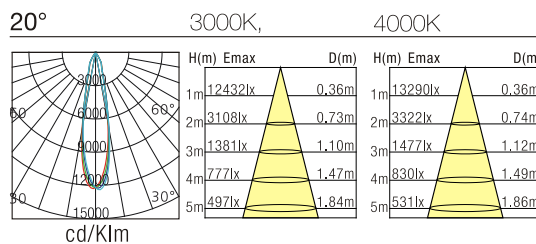
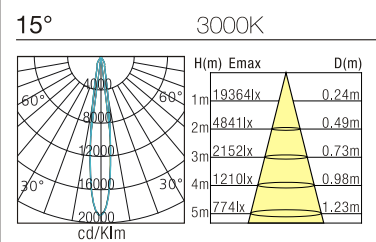
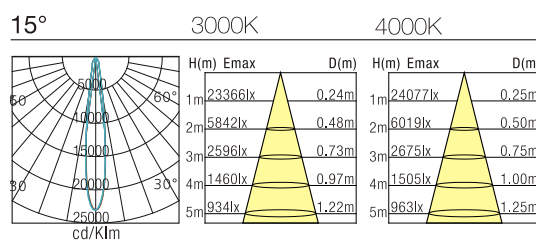
Ordering Information:

● White+Black

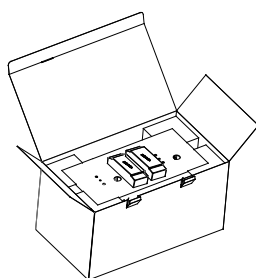
Power	CRI	Beam Angle	Luminous	CCT	Housing	Part Number
2X30W	>80	▲ 15°	4480 lm	3000K	●	GL1021-30W-830-W-15
			4890 lm	4000K	●	GL1021-30W-840-W-15
			5000 lm	5000K	●	GL1021-30W-850-W-15
		▲ 20°	4530 lm	3000K	●	GL1021-30W-830-W-20
			4690 lm	4000K	●	GL1021-30W-840-W-20
			4840 lm	5000K	●	GL1021-30W-850-W-20
	▲ 45°	4430 lm	3000K	●	GL1021-30W-830-W-45	
		4650 lm	4000K	●	GL1021-30W-840-W-45	
		4900 lm	5000K	●	GL1021-30W-850-W-45	
	>90	▲ 15°	3760 lm	3000K	●	GL1021-30W-930-W-15
			3640 lm	3000K	●	GL1021-30W-930-W-20
			3730 lm	3000K	●	GL1021-30W-930-W-45

Technical Data test pattern

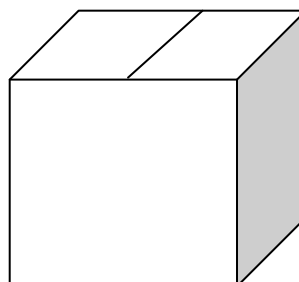
30W	CRI>80			Luminaire		CRI>90		Luminaire	
	LED					LED			
Power	18.7W			29.5W		18.7W		29.5W	
Current	540mA			700mA		540mA		700mA	
Flux	2742lm	2827lm	2867lm	2913lm	3130lm	2265lm	2392lm	2392lm	2392lm
CCT	3000K	4000K	5000K	3000K	4000K	3000K	3000K	3000K	3000K
Color tolerance	3 SDCM					3 SDCM			
Service life	>50000Hrs			>50000Hrs		>50000Hrs		>50000Hrs	
Beam Angle	120°			15°\20°\45°		120°		15°\20°\45°	
Typical Efficiency				85%				85%	
Efficacy(lm/W)	147	151	153	98	106	121		81	



Packaging:

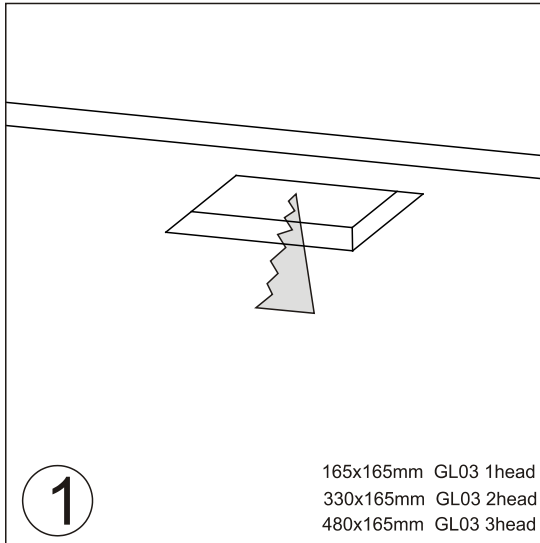


Box
 L375*W210*H170mm
 1pc/box
 GW: 2.0kg/box

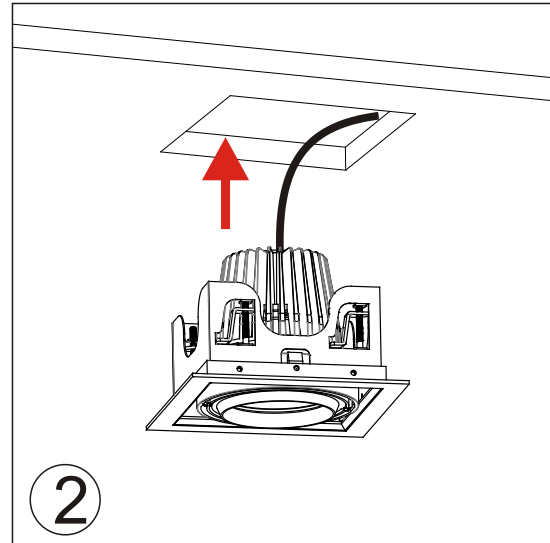


Outer carton
 L450*W400*H360mm
 4pcs/box
 GW: 9.5kg/carton

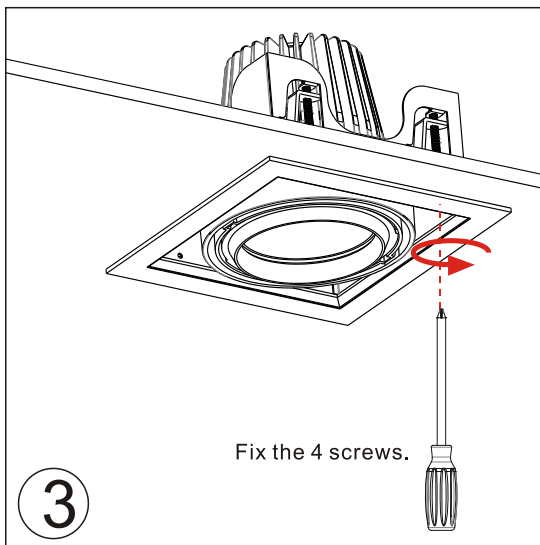
Installation instruction



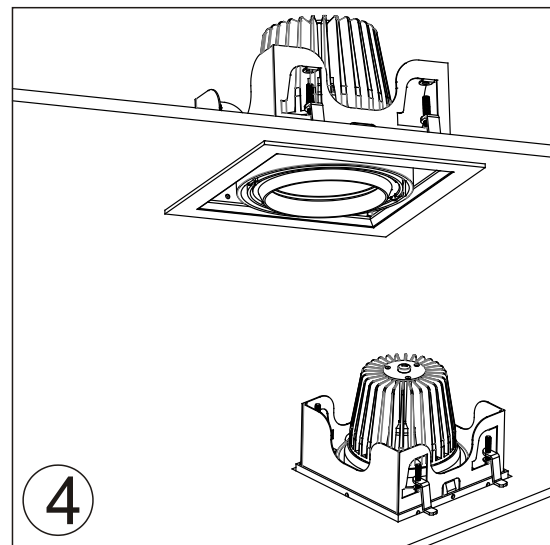
Ceiling Cut Hole



1, Connect Wire.
2, Put the lamp into the cut hole.



Use the screw driver to tighten the screw.



Done.

Product naming system

