

iGrid Series

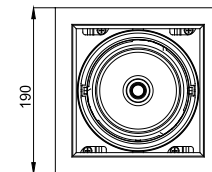
GL10-1X30W

Reflector

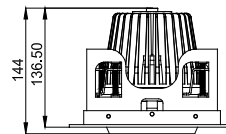


Technical Parameters:

Name	Parameters
Light source:	COB
Input Voltage:	AC220~240V 50/60Hz
LED Current:	700mA (35-37V)
Rated life:	>50,000 hours
Operating temperature:	-20°C~40°C
Storage temperature:	-30°C~60°C
Certificate:	TUV/CE/RoHS
Dimmability:	Dimmable Optional
Weight:	1.0KG



165X165mm



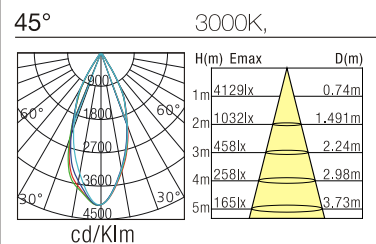
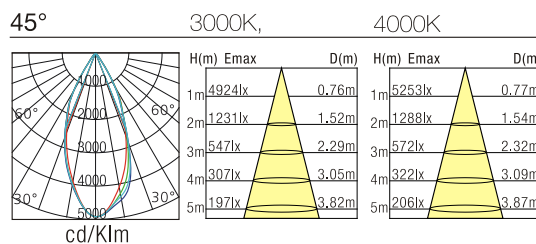
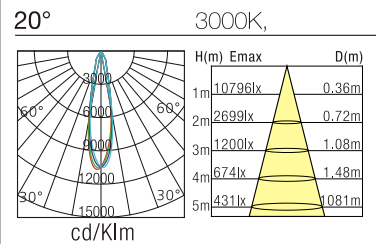
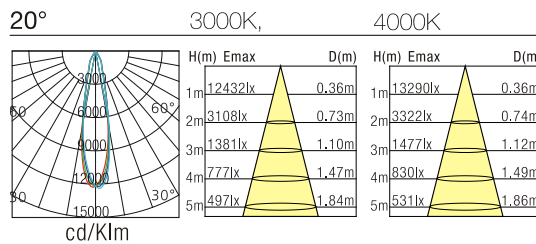
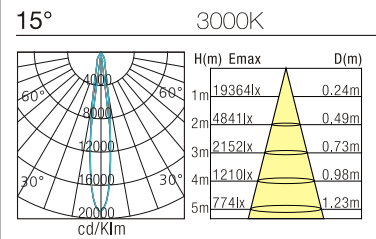
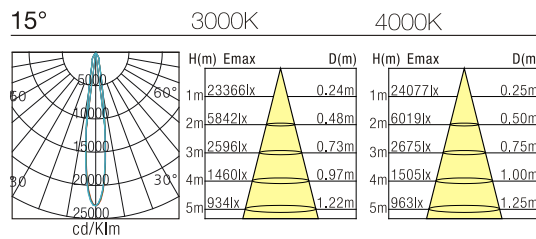
Ordering Information:

● White+Black

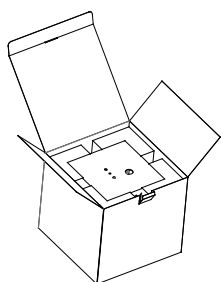
Power	CRI	Beam Angle	Luminous	CCT	Housing	Part Number
1X30W	>80	▲ 15°	2913 lm	3000K	●	GL1011-30W-830-W-15
			3130 lm	4000K	●	GL1011-30W-840-W-15
			3287 lm	5000K	●	GL1011-30W-850-W-15
		▲ 20°	2804 lm	3000K	●	GL1011-30W-830-W-20
			3032 lm	4000K	●	GL1011-30W-840-W-20
			3184 lm	5000K	●	GL1011-30W-850-W-20
	▲ 45°	2804 lm	3000K	●	GL1011-30W-830-W-45	
		2906 lm	4000K	●	GL1011-30W-840-W-45	
		3051 lm	5000K	●	GL1011-30W-850-W-45	
	>90	▲ 15°	2454 lm	3000K	●	GL1011-30W-930-W-15
			2392 lm	3000K	●	GL1011-30W-930-W-20
			2283 lm	3000K	●	GL1011-30W-930-W-45

Technical Data test pattern

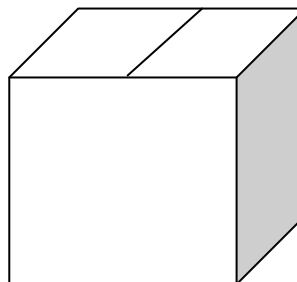
30W	CRI>80			CRI>90	
	LED			Luminaire	
Power	18.7W			29.5W	
Current	540mA			700mA	
Flux	2742lm	2827lm	2867lm	2913lm	3130lm
CCT	3000K	4000K	5000K	3000K	4000K
Color tolerance	3 SDCM				
Service life	>50000Hrs			>50000Hrs	
Beam Angle	120°			15°\20°\45°	
Typical Efficiency				85%	
Efficacy(lm/W)	147	151	153	98	106



Packaging:

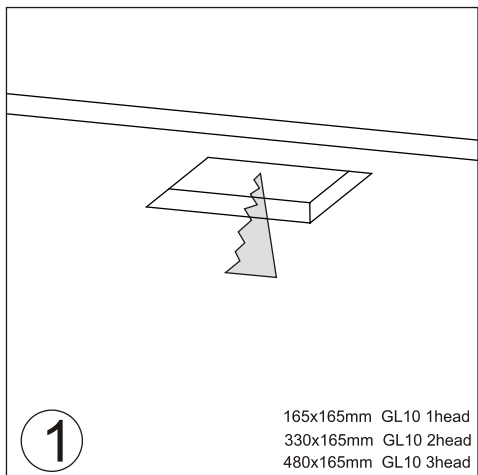


Box
L210*W210*H170mm
1pc/box
GW: 1.2kg/box

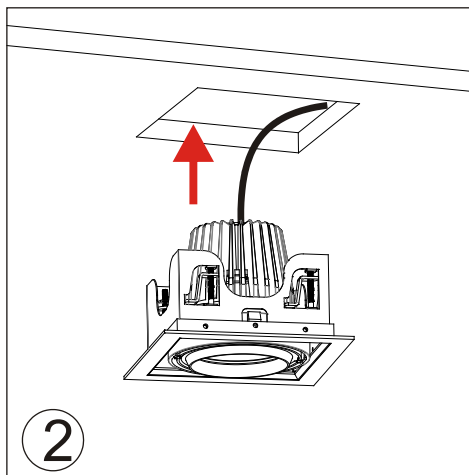


Outer carton
L450*W450*H360mm
8pcs/box
GW: 10.5kg/carton

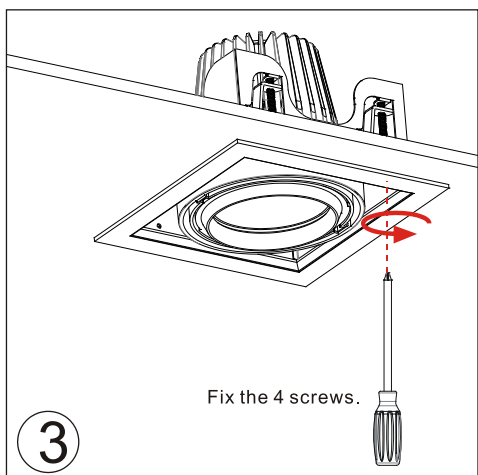
Installation instruction



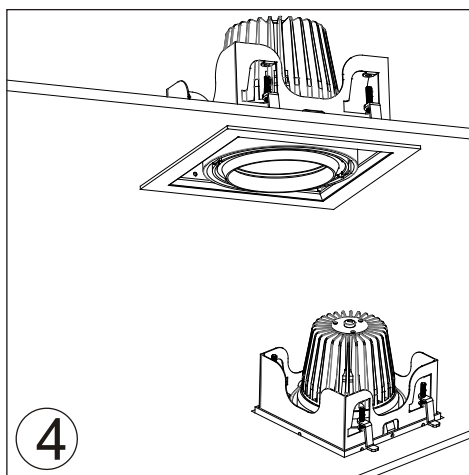
Ceiling Cut Hole



1, Connect Wire.
2, Put the lamp into the cut hole.



Use the screw driver to tighten the screw.



Done.

Product naming system

GL (X) XX X X - X - X XX - X - XX

