

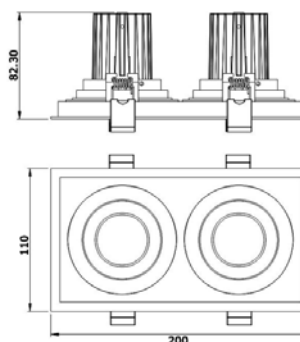
iGrid Series

GL05 2X9W

Reflector

Technical Parameters:

Name	Parameters
Light source:	COB
Input Voltage:	AC220~240V 50/60Hz
LED Current:	200mA, 35-37V
Rated life:	>50,000 hours
Operating temperature:	-20°C~40°C
Storage temperature:	-30°C~60°C
Certificate:	CE/RoHS
Dimmability:	Dimmable Optional
Weight:	0.4KG



187x98mm

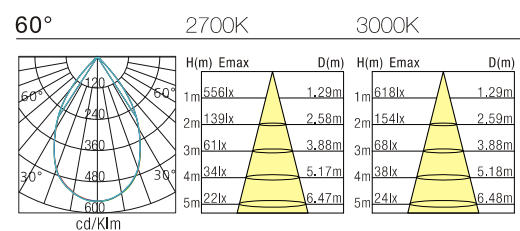
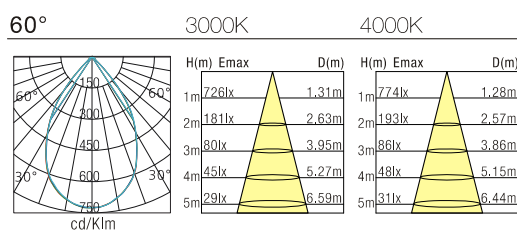
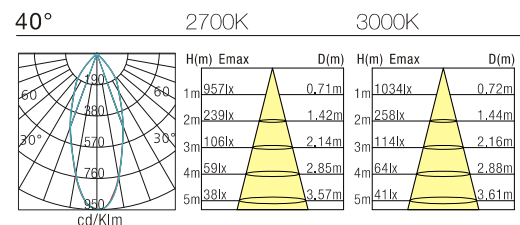
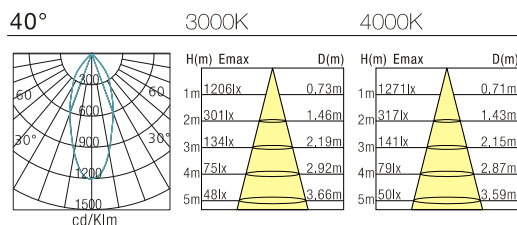
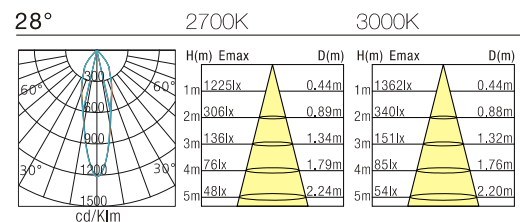
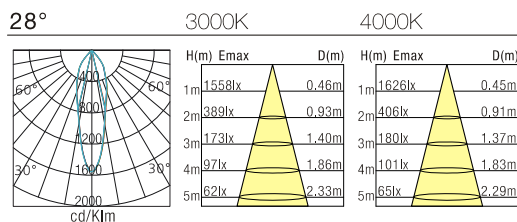
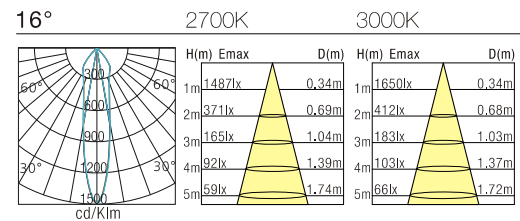
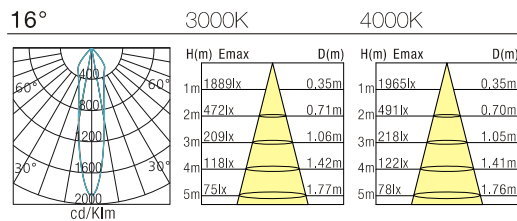
Ordering Information:

○ White

Power	CRI	Beam Angle	Luminous	CCT	Housing	Part Number
2X9W	>80	▲ 16°	1343 lm	3000K	○	GL0521-9W-830-W-16
			1394 lm	4000K	○	GL0521-9W-840-W-16
			1464 lm	5000K	○	GL0521-9W-850-W-16
		▲ 28°	1394 lm	3000K	○	GL0521-9W-830-W-28
			1428 lm	4000K	○	GL0521-9W-840-W-28
			1500 lm	5000K	○	GL0521-9W-850-W-28
		▲ 40°	1419 lm	3000K	○	GL0521-9W-830-W-40
			1470 lm	4000K	○	GL0521-9W-840-W-40
			1544 lm	5000K	○	GL0521-9W-850-W-40
		▲ 60°	1694 lm	3000K	○	GL0521-9W-830-W-60
			1462 lm	4000K	○	GL0521-9W-840-W-60
			1535 lm	5000K	○	GL0521-9W-850-W-60

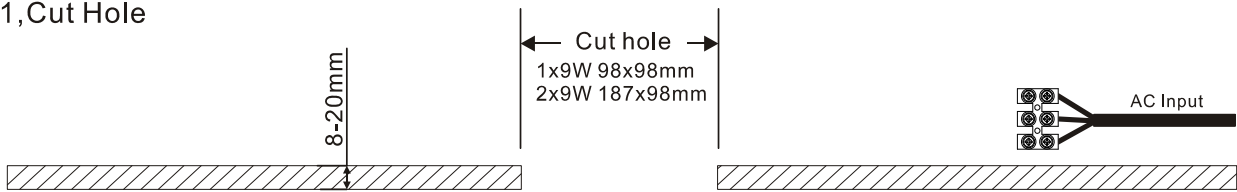
Technical Data test pattern

9W	CRI>80			CRI>90		
	LED			Luminaire		
Power	6.2W			8.5W		
Current	180mA			200mA		
Luminous Flux	836lm	875lm	905lm	800lm	835lm	865lm
CCT	2700K	3000K	4000K	2700K	3000K	4000K
Color tolerance	3 SDCM			3 SDCM		
Service life	>50,000Hrs			>50,000Hrs		
Beam Angle	120°			16°/28°/40°/60°		
Typical Efficiency				82%		
Efficacy (lm/W)	134	140	145	94	98	101

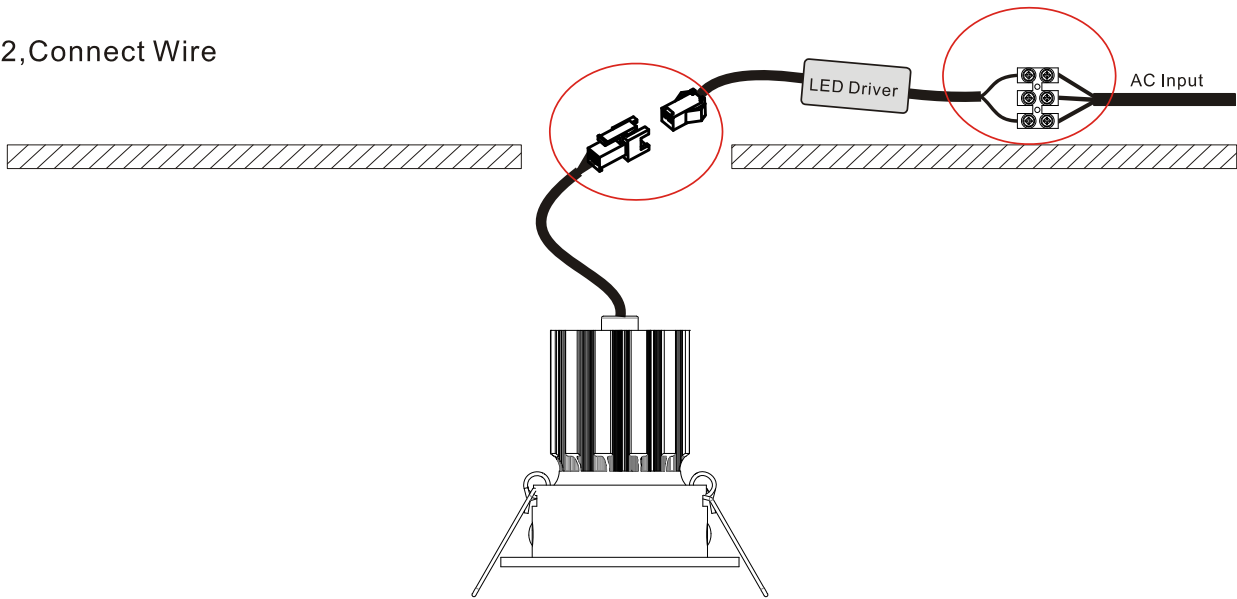


Installation instruction

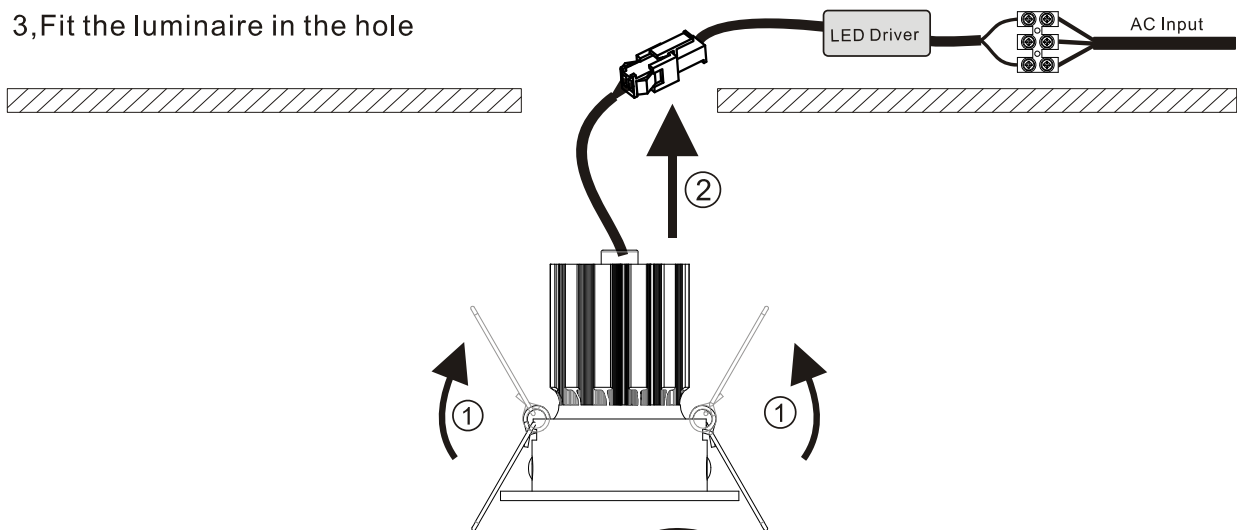
1, Cut Hole



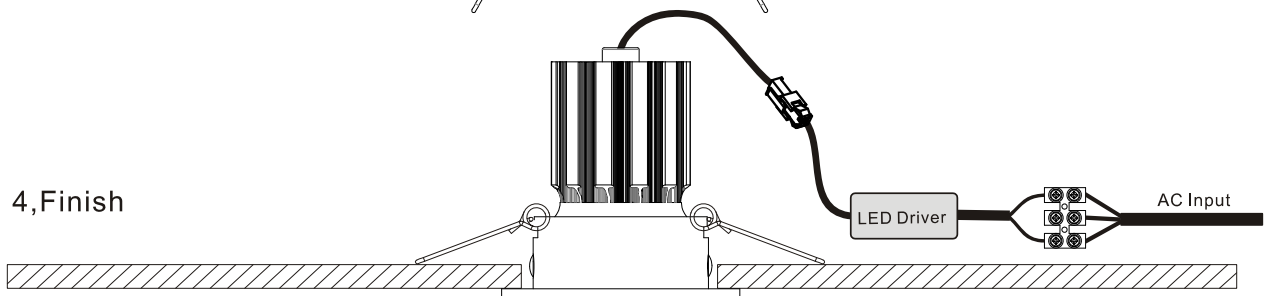
2, Connect Wire



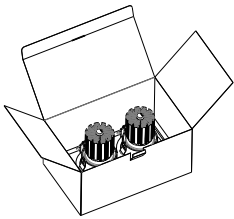
3, Fit the luminaire in the hole



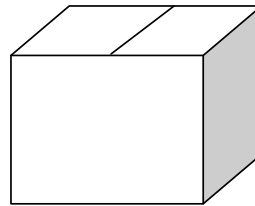
4, Finish



Packaging:



Box
 L210*W140*H155mm
 1pc/box
 GW: 0.6kg/box



Outer carton
 L450*W450*H410mm
 18pc/box
 GW: 11kg/carton

Product Nomenclature

GL (X) XX X X – XW – X XX – X- XX

