

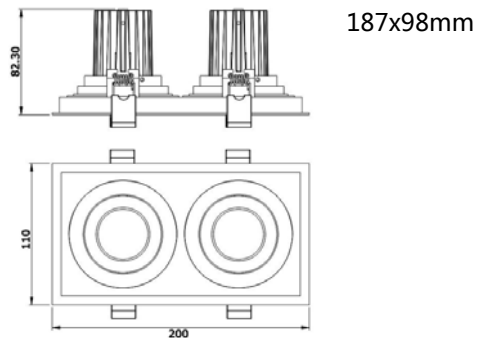
iGrid Series

GL05 2X11W

Reflector

Technical Parameters:

Name	Parameters
Light source:	COB
Input Voltage:	AC220~240V 50/60Hz
LED Current:	250mA, 35-37V
Rated life:	>50,000 hours
Operating temperature:	-20°C~40°C
Storage temperature:	-30°C~60°C
Certificate:	CE/RoHS
Dimmability:	Dimmable Optional
Weight:	0.4KG



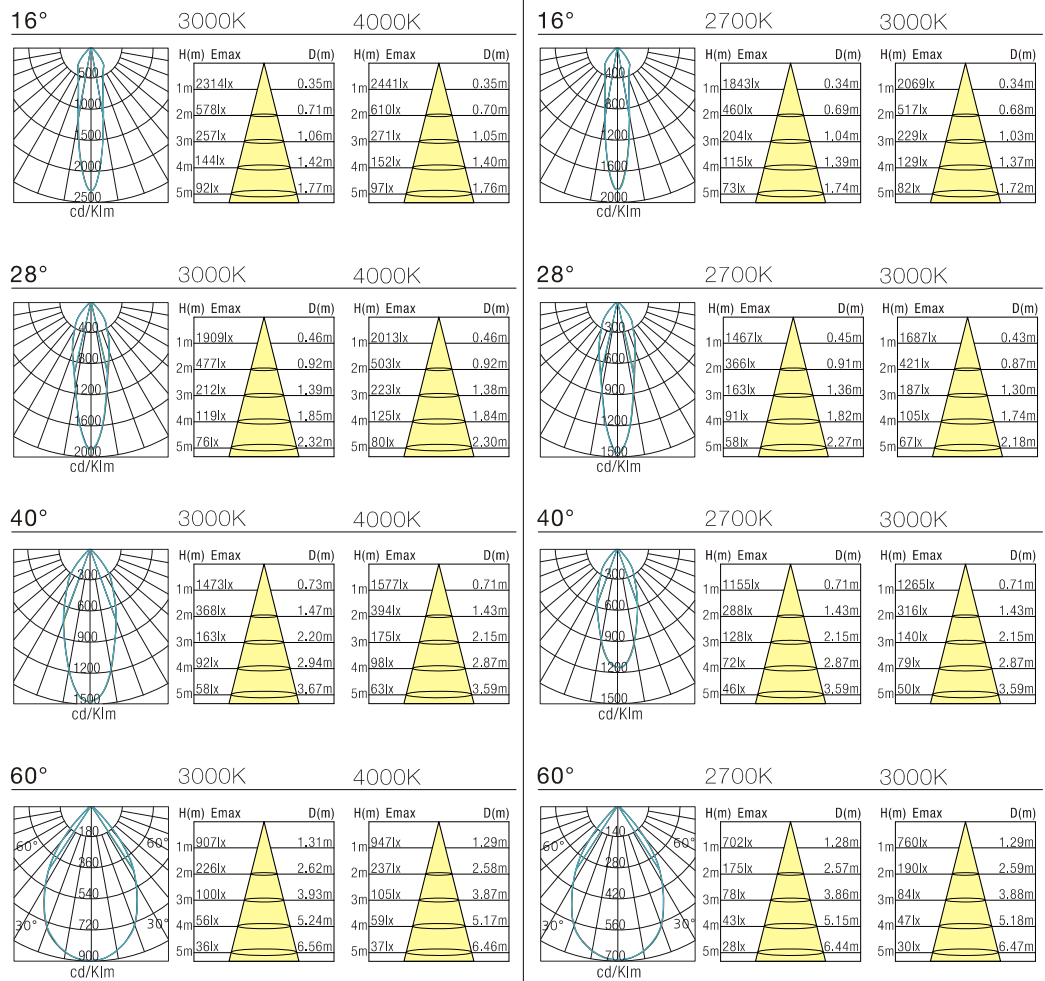
Ordering Information:

○ White

Power	CRI	Beam Angle	Luminous	CCT	Housing	Part Number
2X11W	>80	▲ 16°	1649 lm	3000K	○	GL0521-11W-830-W-16
			1725 lm	4000K	○	GL0521-11W-840-W-16
			1812 lm	5000K	○	GL0521-11W-850-W-16
		▲ 28°	1700 lm	3000K	○	GL0521-11W-830-W-28
			1768 lm	4000K	○	GL0521-11W-840-W-28
			1857 lm	5000K	○	GL0521-11W-850-W-28
		▲ 40°	1734 lm	3000K	○	GL0521-11W-830-W-40
			1827 lm	4000K	○	GL0521-11W-840-W-40
			1919 lm	5000K	○	GL0521-11W-850-W-40
		▲ 60°	1725 lm	3000K	○	GL0521-11W-830-W-60
			1793 lm	4000K	○	GL0521-11W-840-W-60
			1884 lm	5000K	○	GL0521-11W-850-W-60

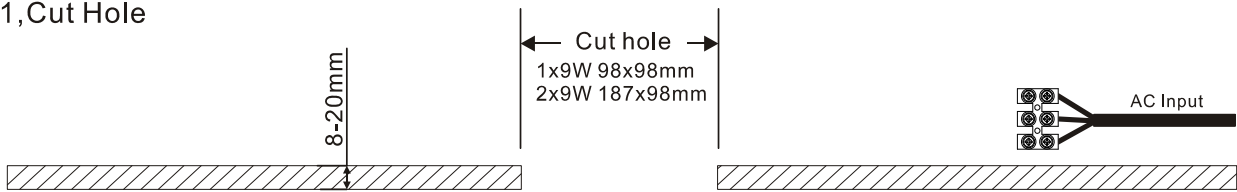
Technical Data test pattern

11W	CRI>80						CRI>90					
	LED			Luminaire			LED			Luminaire		
Power	6.2W			10.8W			6.2W			10.8W		
Current	180mA			250mA			180mA			250mA		
Luminous Flux	836lm	875lm	905lm	980lm	1020lm	1075lm	694lm	726lm	785lm	860lm		
CCT	2700K	3000K	4000K	2700K	3000K	4000K	2700K	3000K	2700K	3000K		
Color tolerance	3 SDCM						3 SDCM					
Service life	>50,000Hrs						>50,000Hrs					
Beam Angle	120°			16°/28°/40°/60°			120°			16°/28°/40°/60°		
Typical Efficiency				86%						86%		
Efficacy (lm/W)	134	140	145	90	94	99	111	116	72	79		

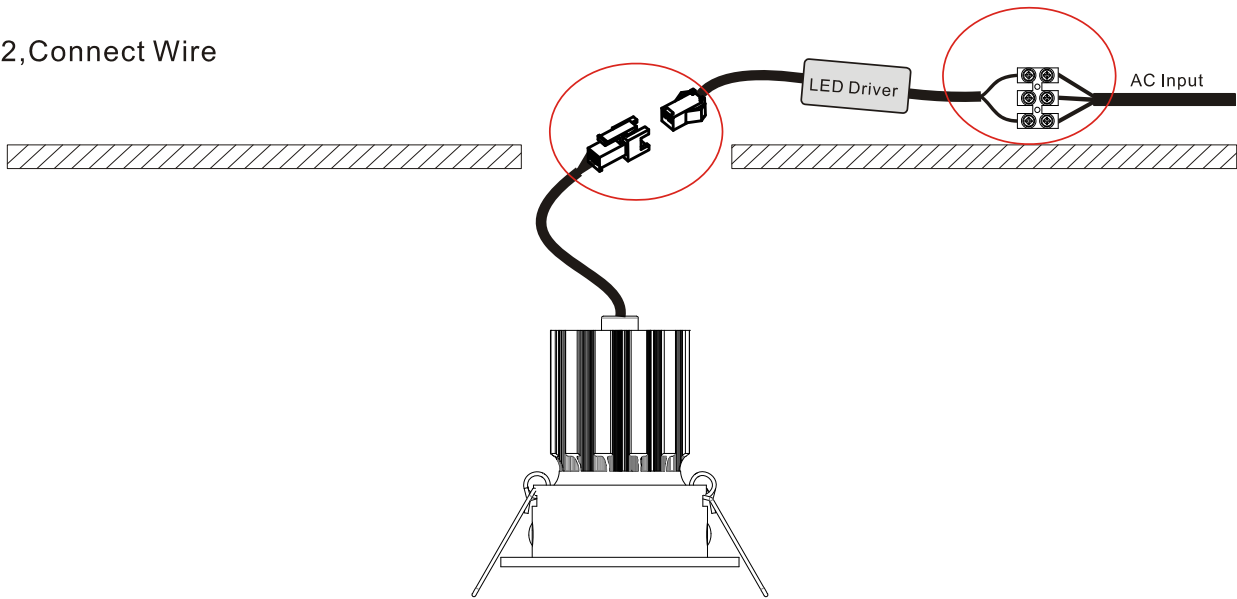


Installation instruction

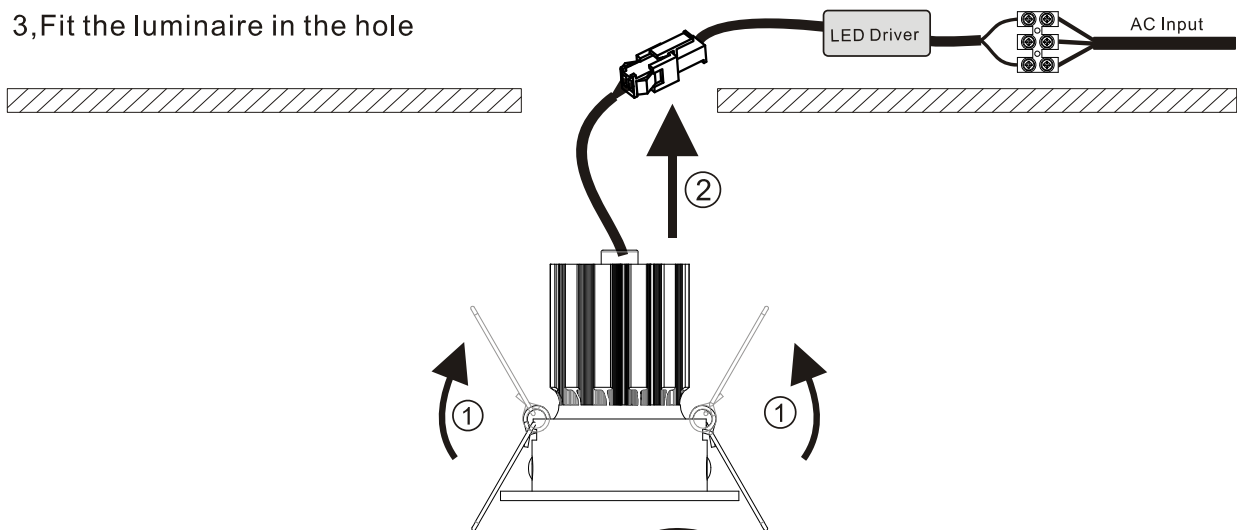
1, Cut Hole



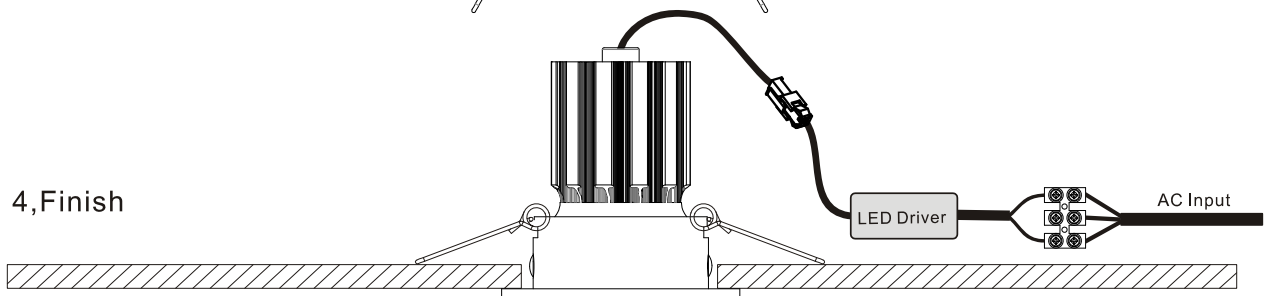
2, Connect Wire



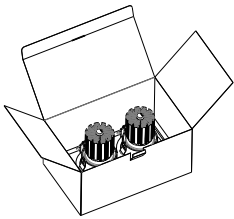
3, Fit the luminaire in the hole



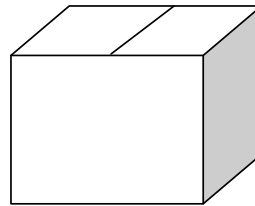
4, Finish



Packaging:



Box
 L210*W140*H155mm
 1pc/box
 GW: 0.6kg/box



Outer carton
 L450*W450*H410mm
 18pc/box
 GW: 11kg/carton

Product Nomenclature

GL (X) XX X X – XW – X XX – X- XX

