

exLite Series

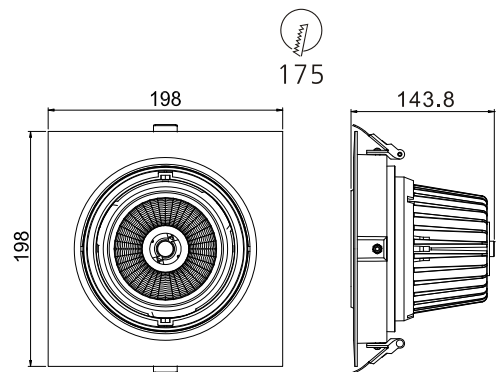
DL10(II)-30W

Reflector



Technical Parameters:

Name	Parameters
Light source:	COB
Input Voltage:	AC220~240V 50/60Hz
LED Current:	700mA (35-37V)
Rated life:	>50,000 hours
Operating temperature:	-20°C~40°C
Storage temperature:	-30°C~60°C
Certificate:	TUV/CE/RoHS
Dimmability:	Dimmable Optional
Weight:	1.2KG



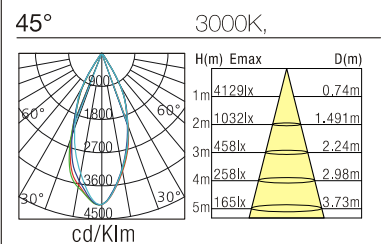
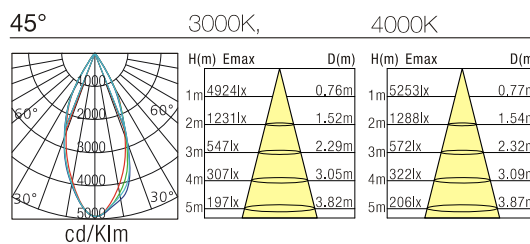
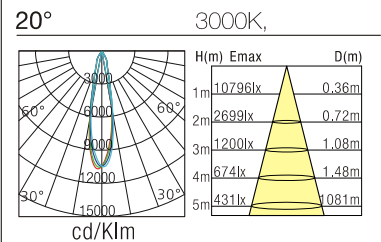
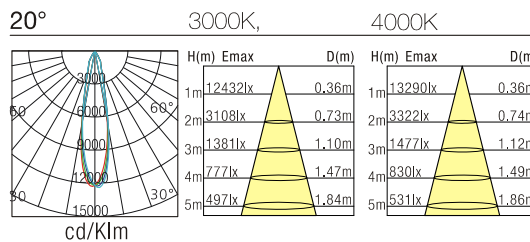
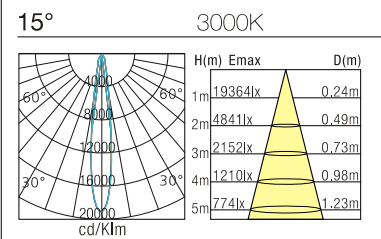
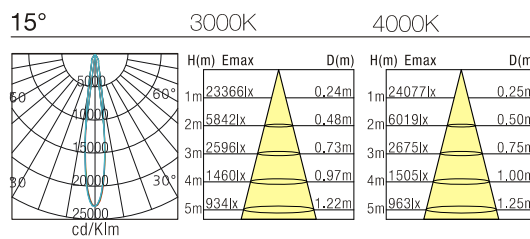
Ordering Information:

● White+Black

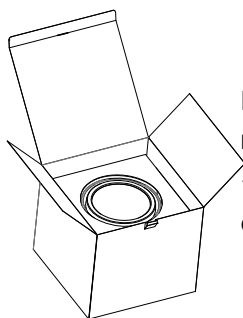
Power	CRI	Beam Angle	Luminous	CCT	Housing	Part Number
30W	>80	▲ 15°	2913 lm	3000K	●	DL102-30W-830-W-15-02
			3130 lm	4000K	●	DL102-30W-840-W-15-02
			3287 lm	5000K	●	DL102-30W-850-W-15-02
		▲ 20°	2804 lm	3000K	●	DL102-30W-830-W-20-02
			3032 lm	4000K	●	DL102-30W-840-W-20-02
			3184 lm	5000K	●	DL102-30W-850-W-20-02
	▲ 45°	2804 lm	3000K	●	DL102-30W-830-W-45-02	
		2906 lm	4000K	●	DL102-30W-840-W-45-02	
		3051 lm	5000K	●	DL102-30W-850-W-45-02	
	>90	▲ 15°	2454 lm	3000K	●	DL102-30W-930-W-15-02
			2577 lm	4000K	●	DL102-30W-940-W-15-02
			2392 lm	3000K	●	DL102-30W-930-W-20-02
▲ 20°		2512 lm	4000K	●	DL102-30W-940-W-20-02	
		2283 lm	3000K	●	DL102-30W-930-W-45-02	
▲ 45°		2397 lm	4000K	●	DL102-30W-940-W-45-02	

Technical Data test pattern

30W	CRI>80					CRI>90				
	LED			Luminaire		LED			Luminaire	
Power	18.7W			29.5W		18.7W			29.5W	
Current	540mA			700mA		540mA			700mA	
Flux	2742lm	2827lm	2867lm	2913lm	3130lm	2265lm	2392lm	2392lm	2392lm	
CCT	3000K	4000K	5000K	3000K	4000K	3000K	3000K	3000K	3000K	
Color tolerance	3 SDCM					3 SDCM				
Service life	>50000Hrs			>50000Hrs		>50000Hrs			>50000Hrs	
Beam Angle	120°			15°\20°\45°		120°			15°\20°\45°	
Typical Efficiency				85%					85%	
Efficacy(lm/W)	147	151	153	98	106	121			81	



Packaging:



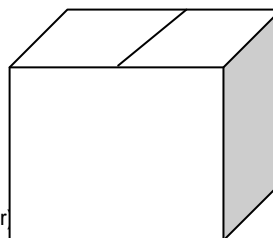
Box

L210*W210*H190mm

1pc/box

GW: 1.6kg/box (With non-dimmable driver)

1.65kg/box (With Triac dimmable driver)



Outer carton

L450xW450xH410mm

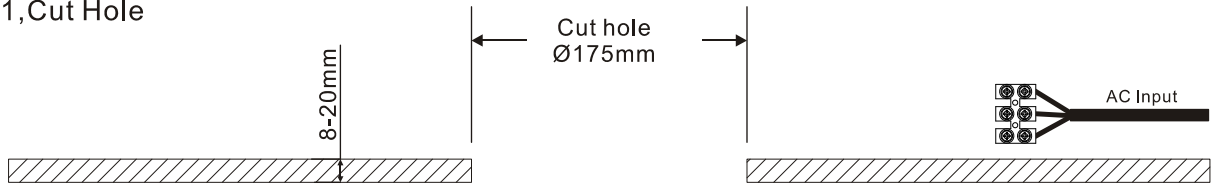
8pcs/CTN

GW: 14kg/carton (With non-dimmable driver)

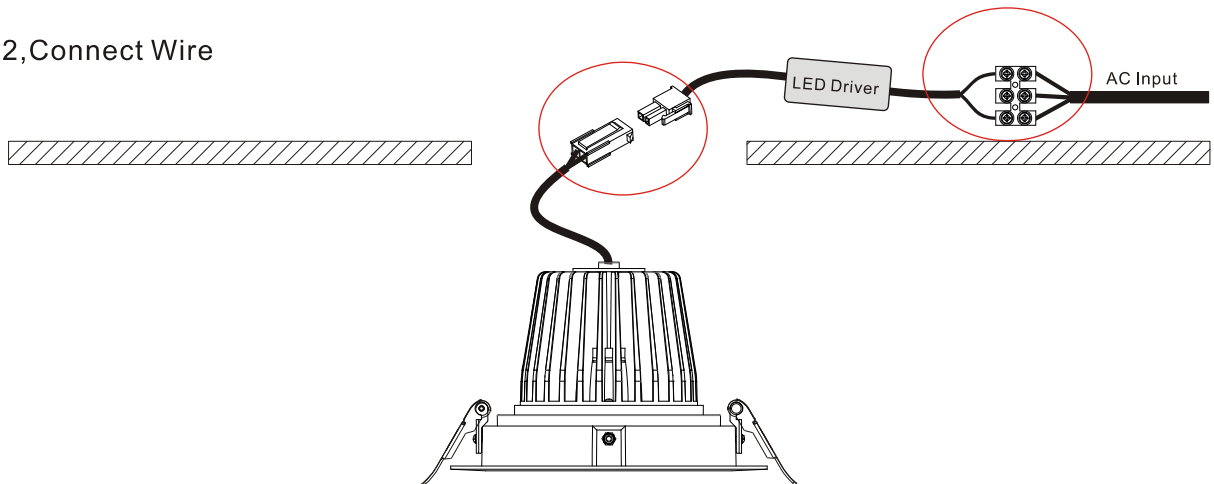
14.5kg/carton (With Triac dimmable)

Installation instruction

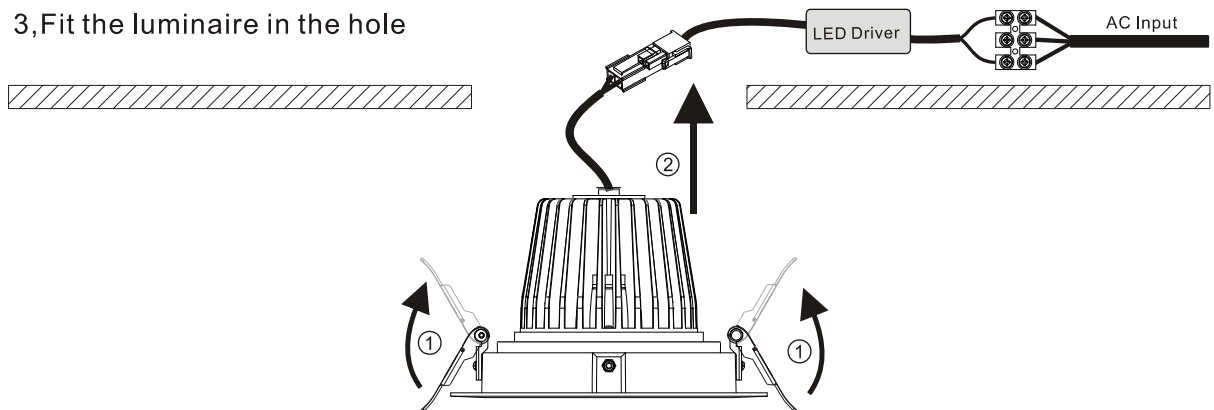
1, Cut Hole



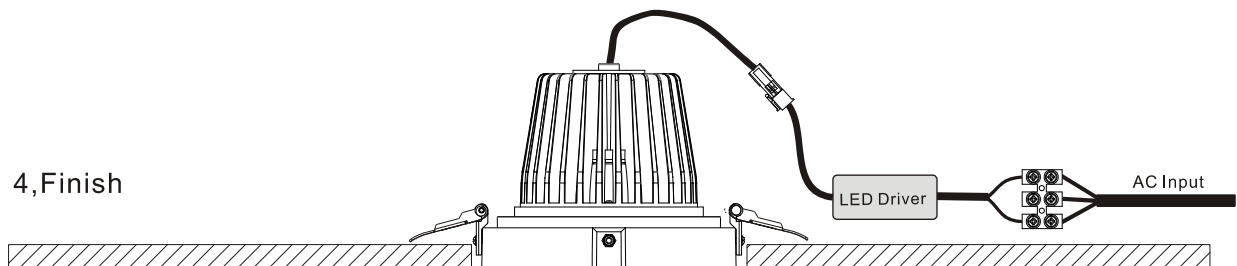
2, Connect Wire



3, Fit the luminaire in the hole



4, Finish



Product naming system

DL (X) XX X (H) - XW - X XX - X - XX

