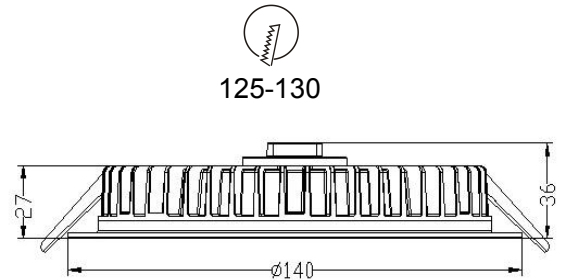


Combolite Series

**BL27-10W**

Technical Parameters:

Name	Parameters
Light source:	2835 SMD (56pcs)
Input Voltage:	AC220~240V 50/60Hz
LED Current:	350mA (24V)
Rated life:	>50,000 hours
Operating temperature:	-20°C~40°C
Storage temperature:	-30°C~60°C
Certificate:	
Dimmability:	Dimmable Optional
Weight:	0.3KG



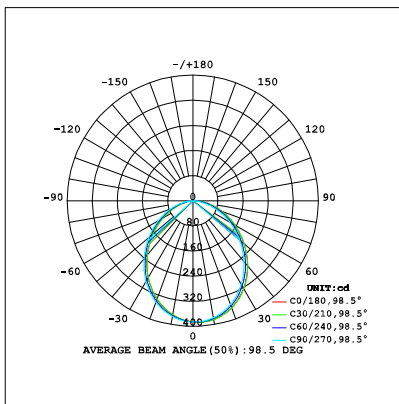
Ordering Information:

White+Black

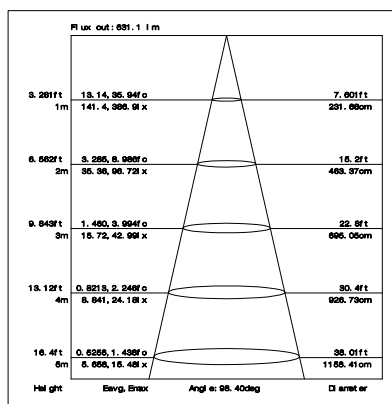
Power	CRI	Beam Angle	Luminous	CCT	Housing	Part Number
10W	>80	90°	970 lm	3000K	☾	B272-10W-830-W-90
			1010 lm	4000K	☾	B272-10W-840-W-90

Technical Data test pattern

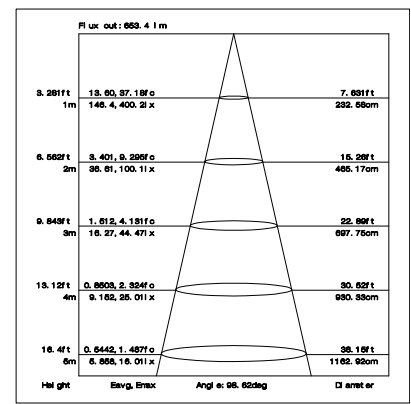
CRI80 90°



3000K

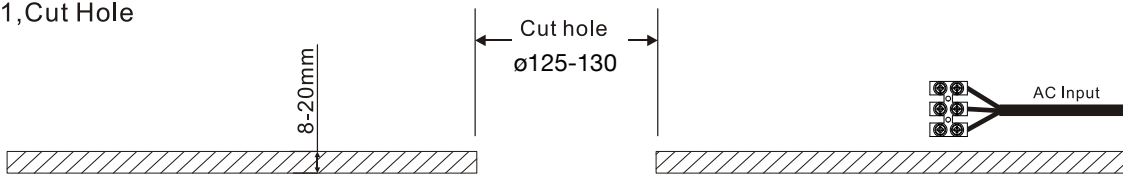


4000K

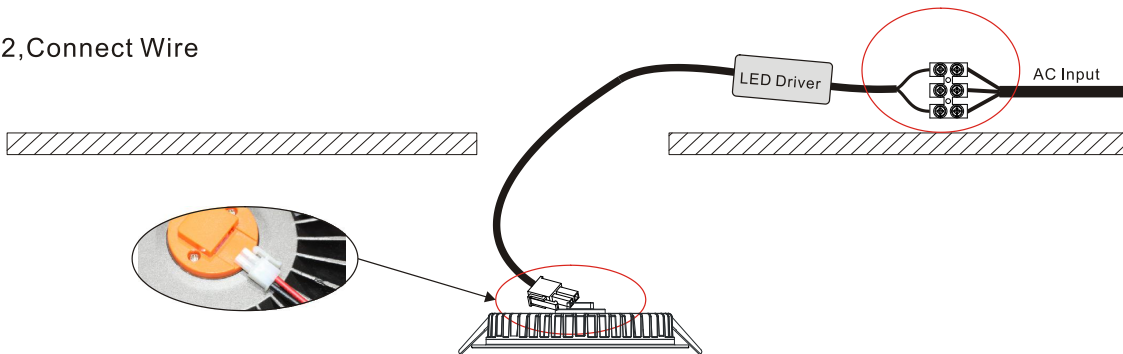


**Installation instruction**

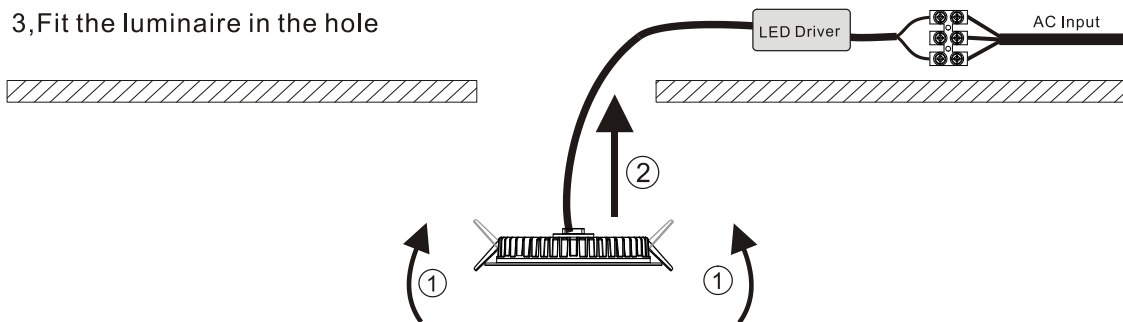
**1, Cut Hole**



**2, Connect Wire**



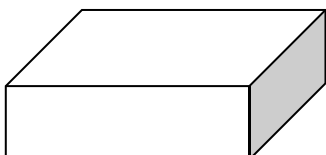
**3, Fit the luminaire in the hole**



**4, Finish**

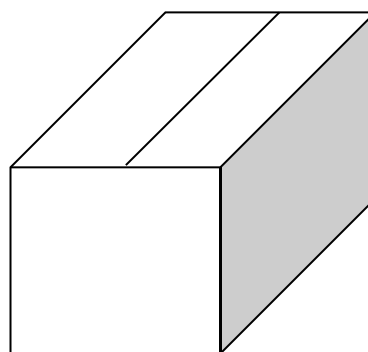


**Packaging:**



**Box**

L170\*W170\*H78mm  
1pc/box  
GW: 0.4kg/box



**Outer carton**

L700\*W355\*H385mm  
32pcs/CTN  
GW: 14kg/carton

Product naming system

