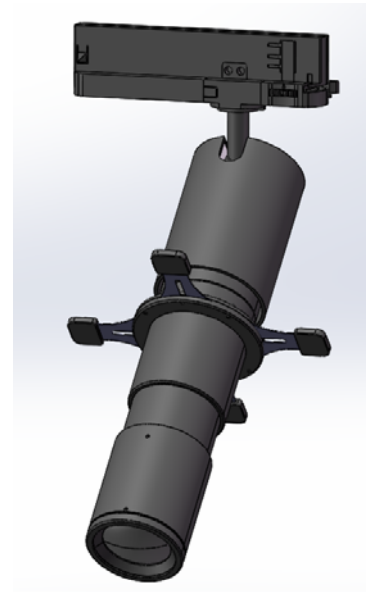


Product information



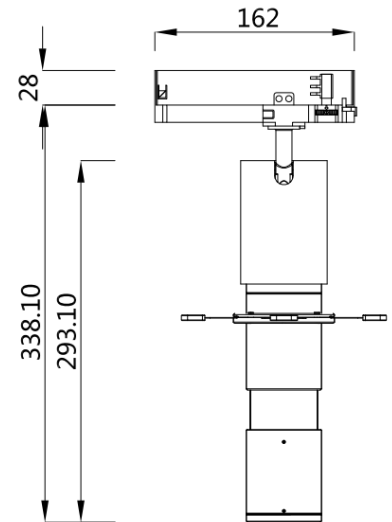
Product number:	ALT704P Series
Track System:	3 wire, 4 wire, 6 wire
Input Voltage (v):	220-240V
Dimming:	On/Off, TRIAC, 1-10V, DALI
Light source:	COB LED
luminaire Lifetime:	50.000h (L80-B10, Ta25°C)
Rotation Angle (degree):	350
Tilting Angle (degree):	90
IP Rating:	20
Working Temperature (°C)	-5 ~ +30
Storage Temperature (°C)	-20 ~ +50
Material:	Aluminium
Fitting Colors:	9016 Sandy White / 9017 Sandy Black



Packaging information

N.W. lamp (Kg):	1.12
G.W. Carton (Kg):	7
Master carton dimensions(mm):	450x450x390
Quantity per carton(pcs):	4

Beam	Watt	CRI	Luminous	CCT	Code
P-15	27W	90	615.5 lm	4000K	ALT70P-4NC27G40-P15
			580.7 lm	3000K	ALT70P-4NC27G30-P15
			540.0 lm	2700K	ALT70P-4NC27G30-P15
P-15	23W	90	527.5 lm	4000K	ALT70P-4NC23G40-P15
			497.7 lm	3000K	ALT70P-4NC23G30-P15
			462.8 lm	2700K	ALT70P-4NC23G30-P15



① ② ③ ④ ⑤ ⑥ ⑦ ⑧ ⑨ ⑩

Code composition: ALT 70 P - 4 D C 23 G30 - P - B

① Product series	② Model	③ App types	④ Track style	⑤ Dimming type	⑥ COB type	⑦ Watt	⑧ LED Kelvin & CRI	⑨ Optical angle	⑩ Finishes
ALT	70	P Projector	6 wires	N No dimming	C COB	27W	H27 2700 >95	P15 Projector 15°	White
			4 wires	T Triac dimming		23W	G30 3000 >90		Black
			3 wires	D DALI dimming			E40 4000 >80		
			2 wires	K Knob dimming			C50 5000 >70		
				C CASAMBI dimming					