

## Recessed Tilt Spotlight

Norms: EN 60598-1, EN 60598-2-1, EN60598-2-2

### Product information







Product number:	ALRT70 - 24
Input Voltage (v):	220-240V AC
Dimming:	On/Off, Triac, 1-10V, DALI
Light source:	COB LED
Luminaire Lifetime:	50.000h (L80-B10, Ta25° C)
Rotation Angle (degree):	350
Tilting Angle (degree):	90
IP Rating:	20
Working Temperature (° C)	-5 ~ +30
Storage Temperature (° C)	-20 ~ +50
Material:	Aluminium
Fitting Colors:	9016 Sandy White / 9017 Sandy Black



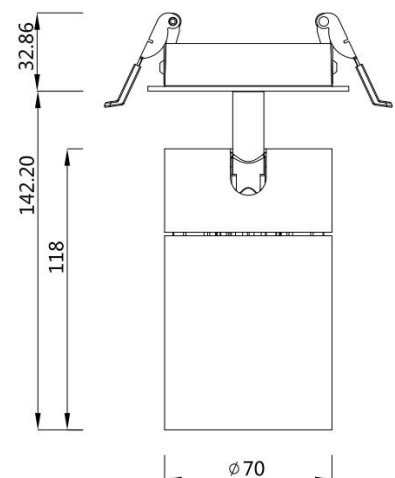
Honeycomb    Oval diffuser    Diffuser    Anti-glare ring

### Packaging information

N.W. lamp (Kg):	0.66
G.W. Carton (Kg):	10
Master carton dimensions(mm):	720x295x220
Quantity per carton(PCS):	10

Beam	Watt	CRI	Luminous	CCT	Code
16 	24W	90	2012.1 lm	4000K	ALRT70S-NC24G40-S
			1898.2 lm	3000K	ALRT70S-NC24G30-S
			1765.3 lm	2700K	ALRT70S-NC24G27-S
21 	24W	90	2028.8 lm	4000K	ALRT70S-NC24G40-M
			1914.0 lm	3000K	ALRT70S-NC24G30-M
			1780.0 lm	2700K	ALRT70S-NC24G27-M
34 	24W	90	1911.4 lm	4000K	ALRT70S-NC24G40-F
			1803.2 lm	3000K	ALRT70S-NC24G30-F
			1676.9 lm	2700K	ALRT70S-NC24G27-F
45 	24W	90	1926.9 lm	4000K	ALRT70S-NC24G40-WF
			1817.8 lm	3000K	ALRT70S-NC24G30-WF
			1690.6 lm	2700K	ALRT70S-NC24G27-WF

Cut hole  $\phi$  75mm



- ① ② ③ ④ ⑤ ⑥ ⑦ ⑧ ⑨ ⑩

Code composition: ALRT 70 S - N C 24 G30 - S - B- L01

① Product series	② Model	③ App types	④ Dimming type	⑤ COB type	⑥ Watt	⑦ LED Kelvin & CRI	⑧ Optical angle	⑨ Finishes	⑩ Accessories
ALRT	70	S Spotlight	N No dimming T Triac dimming V 1-10V dimming D DALI dimming	C COB	24W	H27 2700 >95 G30 3000 >90 E40 4000 >80 C50 5000 >70	S Spot M Medium F Flood WF Wide Flood	White Black	L01 Honeycomb L02 Oval diffuser L03 Diffuser L04 Anti-glare ring