

Decossed Tilt Spotlight

Norms: EN 60598-1, EN 60598-2-1, EN60598-2-2

Product information







Product number:	ALRT55 - 15
Input Voltage (v):	220-240V AC
Dimming:	On/Off, Triac, 1-10V, DALI
Light source:	COB LED
Luminaire Lifetime:	50.000h (L80-B10, Ta25° C)
Rotation Angle (degree):	350
Tilting Angle (degree):	90
IP Rating:	20
Working Temperature (° C)	-5 ~ +30
Storage Temperature (° C)	-20 ~ +50
Material:	Aluminium
Fitting Colors:	9016 Sandy White / 9017 Sandy Black



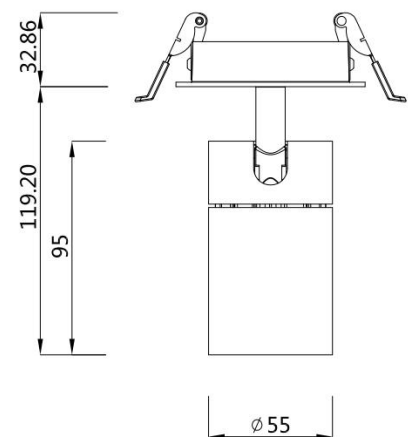
Honeycomb Oval diffuser Diffuser Anti-glare ring

Packaging information

N.W. lamp (Kg):	0.52
G.W. Carton (Kg):	12
Master carton dimensions(mm):	720x295x328
Quantity per carton(PCS):	20

Beam	Watt	CRI	Luminous	CCT	Code
15 	15W	90	1120.2 lm	4000K	ALRT55S-NC15G40-S
			1056.8 lm	3000K	ALRT55S-NC15G30-S
			982.8 lm	2700K	ALRT55S-NC15G27-S
21 	15W	90	1070.8 lm	4000K	ALRT55S-NC15G40-M
			1010.2 lm	3000K	ALRT55S-NC15G30-M
			939.5 lm	2700K	ALRT55S-NC15G27-M
36 	15W	90	908.7 lm	4000K	ALRT55S-NC15G40-F
			857.3 lm	3000K	ALRT55S-NC15G30-F
			797.3 lm	2700K	ALRT55S-NC15G27-F
49 	15W	90	973.0 lm	4000K	ALRT55S-NC15G40-WF
			918.0 lm	3000K	ALRT55S-NC15G30-WF
			853.7 lm	2700K	ALRT55S-NC15G27-WF

Cut hole ϕ 75mm



- ① ② ③ ④ ⑤ ⑥ ⑦ ⑧ ⑨ ⑩

Code composition: ALRT 55 S - N C 15 G30 - S - B- L01

① Product series	② Model	③ App types	④ Dimming type	⑤ COB type	⑥ Watt	⑦ LED Kelvin & CRI	⑧ Optical angle	⑨ Finishes	⑩ Accessories
ALRT	55	S Spotlight	N No dimming T Triac dimming V 1-10V dimming D DALI dimming	C COB	15W	H27 2700 >95 S G30 3000 >90 M E40 4000 >80 F C50 5000 >70 WF	Spot Medium Flood Wide Flood	White Black	L01 Honeycomb L02 Oval diffuser L03 Diffuser L04 Anti-glare ring