

Downward Tilt Spotlight

Norms: EN 60598-1, EN 60598-2-1, EN60598-2-2

Product information







Product number:	ALRT45 - 08
Input Voltage (v):	220-240V AC
Dimming:	On/Off, Triac, 1-10V, DALI
Light source:	COB LED
Luminaire Lifetime:	50.000h (L80-B10, Ta25° C)
Rotation Angle (degree):	350
Tilting Angle (degree):	90
IP Rating:	20
Working Temperature (° C)	-5 ~ +30
Storage Temperature (° C)	-20 ~ +50
Material:	Aluminium
Fitting Colors:	9016 Sandy White / 9017 Sandy Black



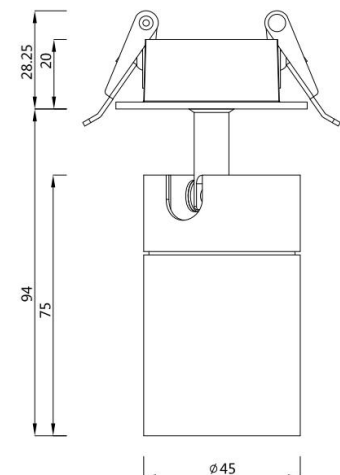
Honeycomb Oval diffuser
Diffuser

Packaging information

N.W. lamp (Kg):	0.28
G.W. Carton (Kg):	17
Master carton dimensions(mm):	430x430x390
Quantity per carton(PCS):	48

Beam	Watt	CRI	Luminous	CCT	Code
15 	08W	90	480.5 lm	4000K	ALRT45S-NC08G40-S
			453.3 lm	3000K	ALRT45S-NC08G30-S
			421.7 lm	2700K	ALRT45S-NC08G27-S
20 	08W	90	488.9 lm	4000K	ALRT45S-NC08G40-M
			461.3 lm	3000K	ALRT45S-NC08G30-M
			429.0 lm	2700K	ALRT45S-NC08G27-M
27 	08W	90	485.6 lm	4000K	ALRT45S-NC08G40-F
			458.1 lm	3000K	ALRT45S-NC08G30-F
			426.0 lm	2700K	ALRT45S-NC08G27-F
55 	08W	90	414.7 lm	4000K	ALRT45S-NC08G40-WF
			391.2 lm	3000K	ALRT45S-NC08G30-WF
			363.8 lm	2700K	ALRT45S-NC08G27-WF

Cut hole ϕ 45mm



- ① ② ③ ④ ⑤ ⑥ ⑦ ⑧ ⑨ ⑩

Code composition: ALRT 45 S - N C 08 G30 - S - B - L01

① Product series	② Model	③ App types	④ Dimming type	⑤ COB type	⑥ Watt	⑦ LED Kelvin & CRI	⑧ Optical angle	⑨ Finishes	⑩ Accessories
ALRT	45	S Spotlight	N No dimming T Triac dimming V 1-10V dimming D DALI dimming	C COB	08W	H27 2700 >95 S G30 3000 >90 M E40 4000 >80 F C50 5000 >70	Spot Medium Flood	White Black	L01 Honeycomb L02 Oval diffuser L03 Diffuser