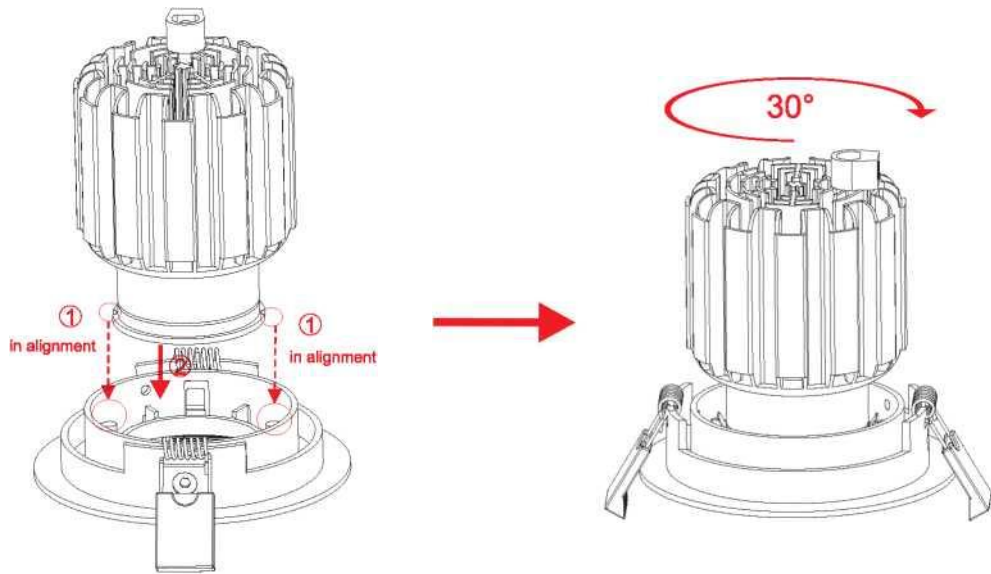
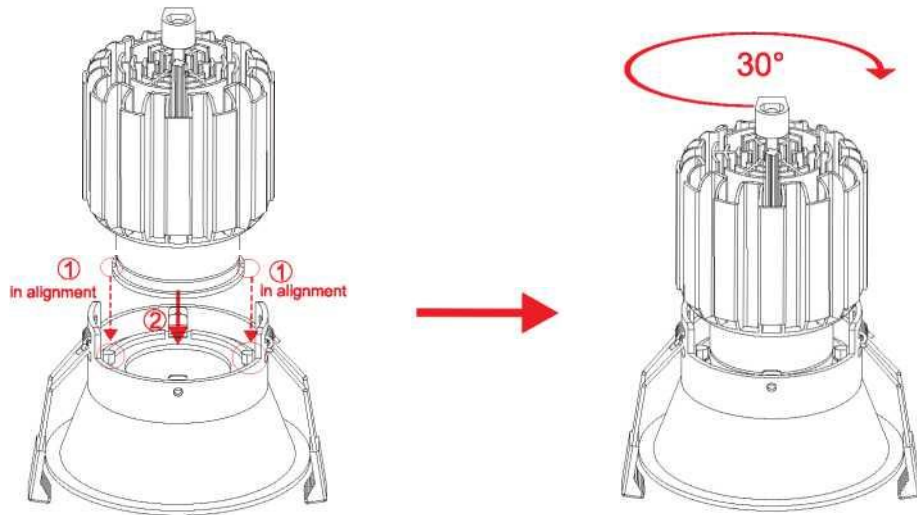


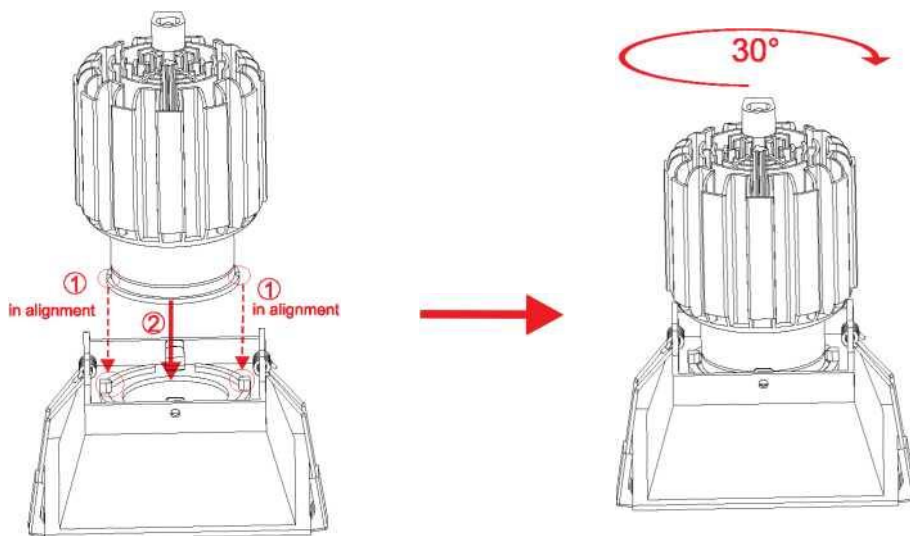
M04 Module + M01-090-C/S Installation



M04 Module + M02-090-C Installation



M04 Module + M02-090-S Installation

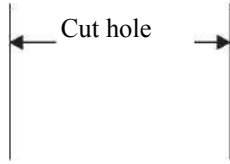


Module Installation Instruction

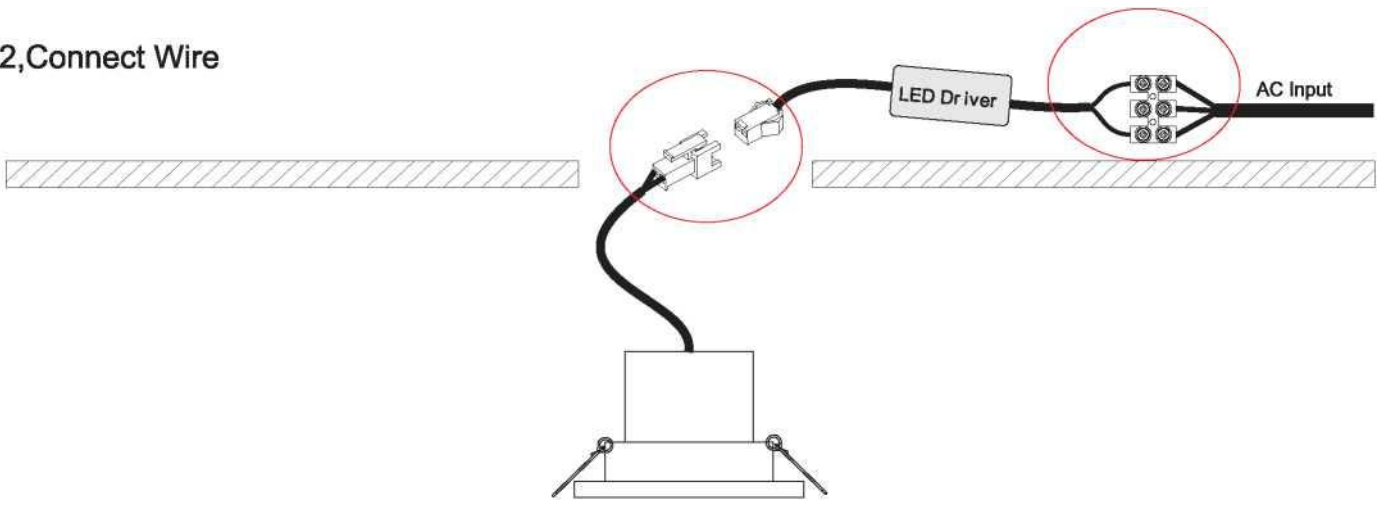
1, Cut Hole

M01-090C/S Cut Hole 090mm
M02-090C Cut Hole 090mm
M02-090S Cut Hole 90x90mm

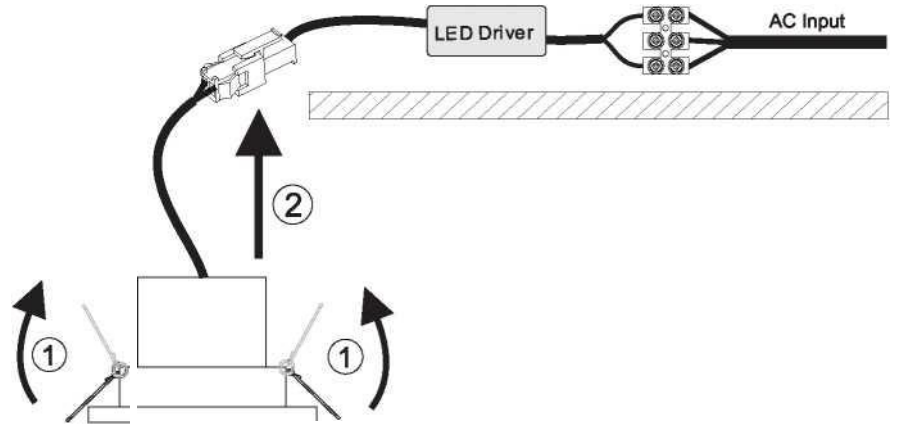
E
E
局
co



2, Connect Wire



3, Fit the luminaire in the hole



4, Finish

