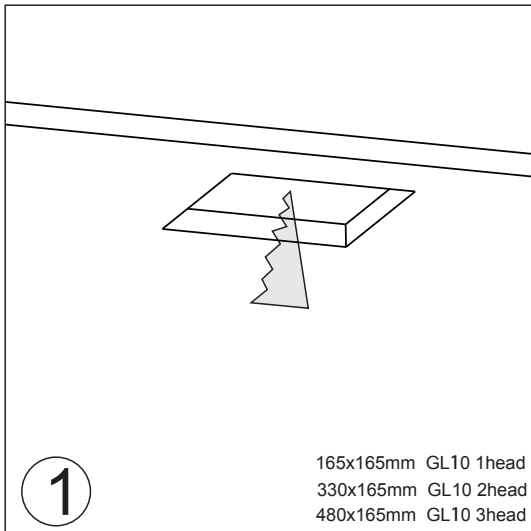
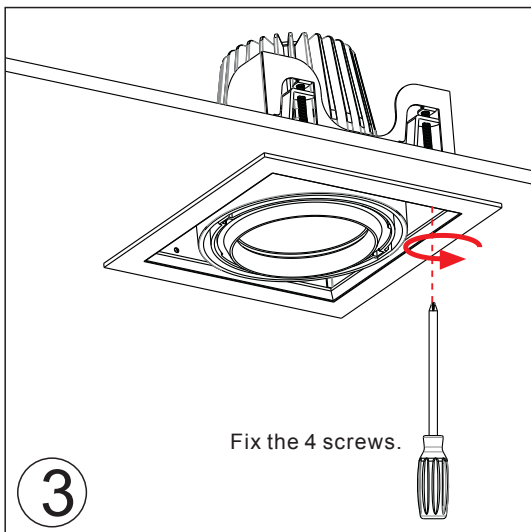
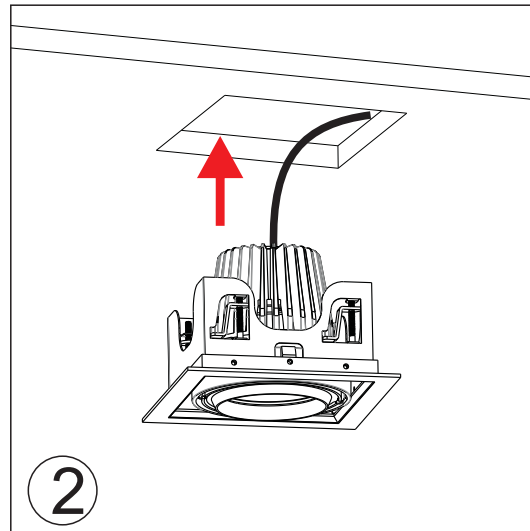


## GL10 Installation instruction



Ceiling Cut Hole



Use the screw driver to tighten the screw.

