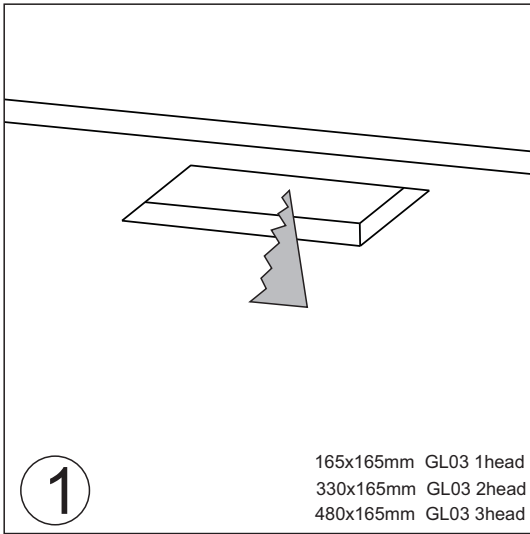
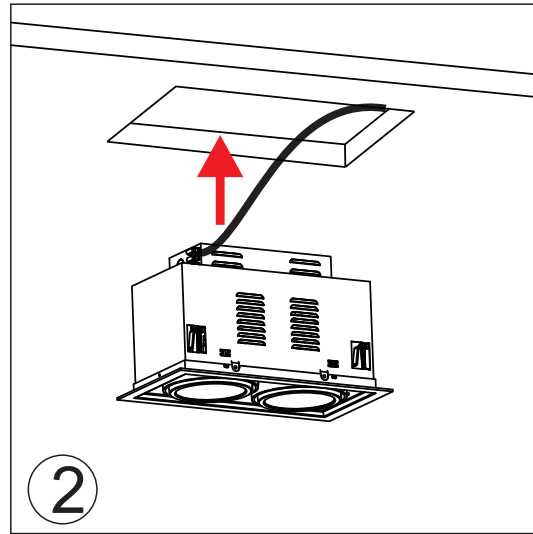


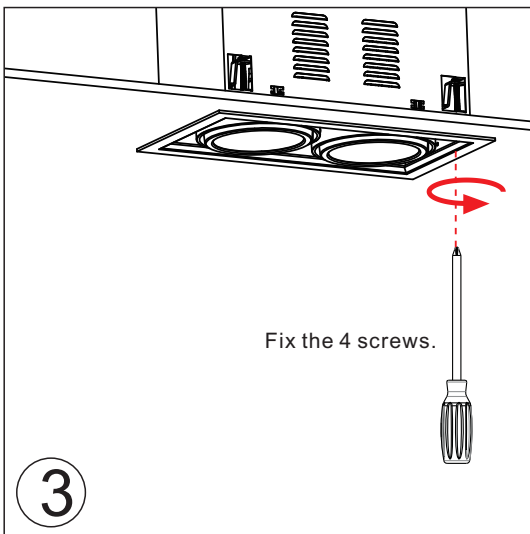
## GL03 2x20W/2X30W/2X40W Installation instruction



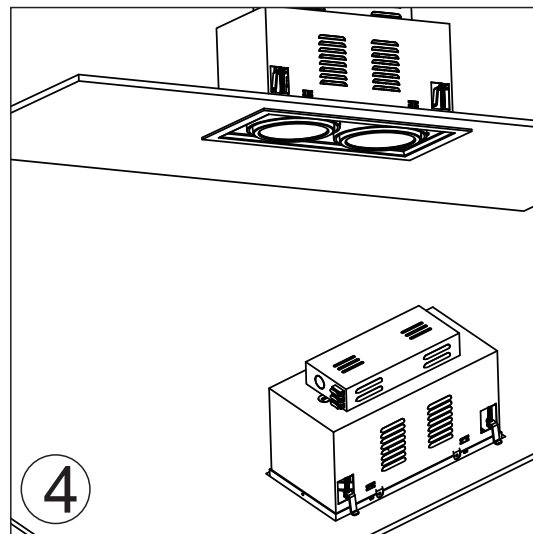
Ceiling Cut Hole



1, Connect Wire.  
2, Put the lamp into the cut hole.



Use the screw driver to tighten the screw.



Done.