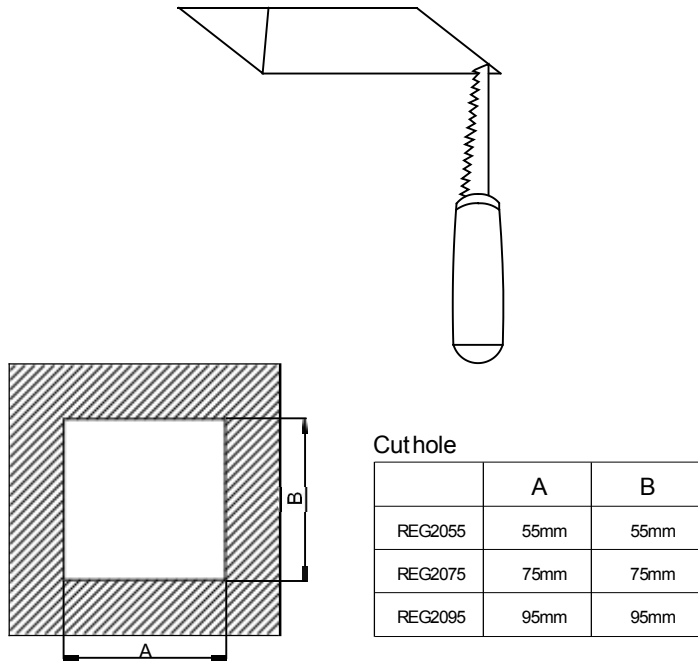


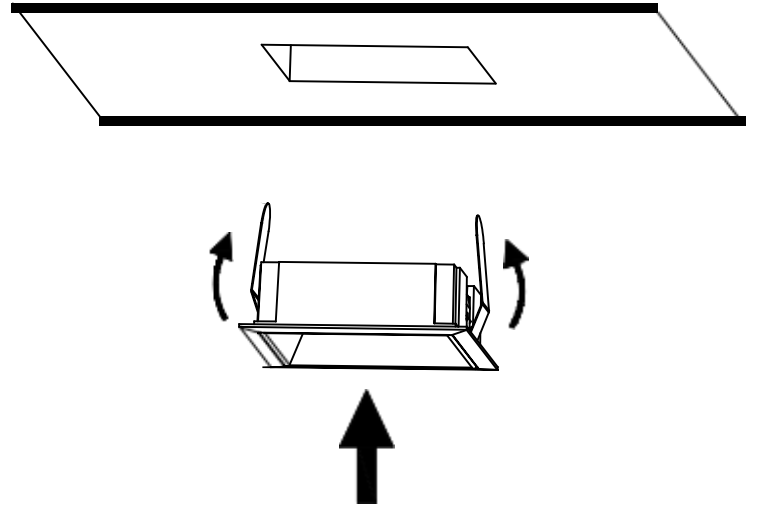
REG2055/REG2075/REG2095 Square Trim Installation Instruction

① Suitable with 6-35mm ceiling



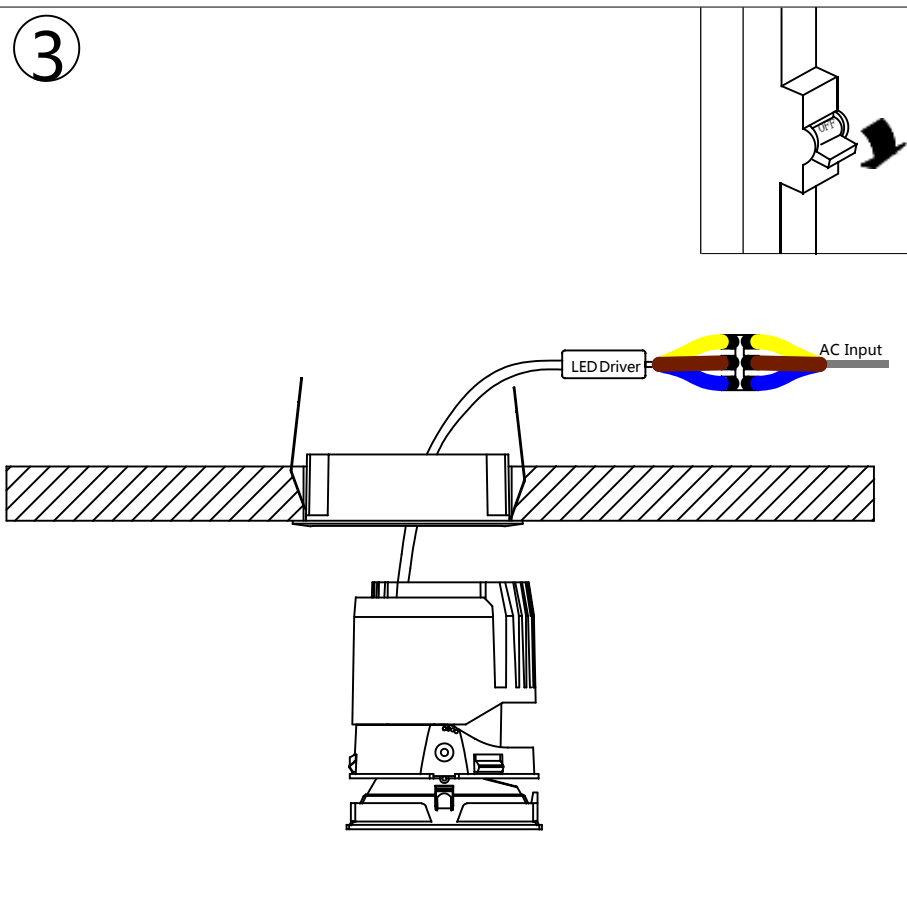
1. Ensure the mains power is turned off, cut hole.

②



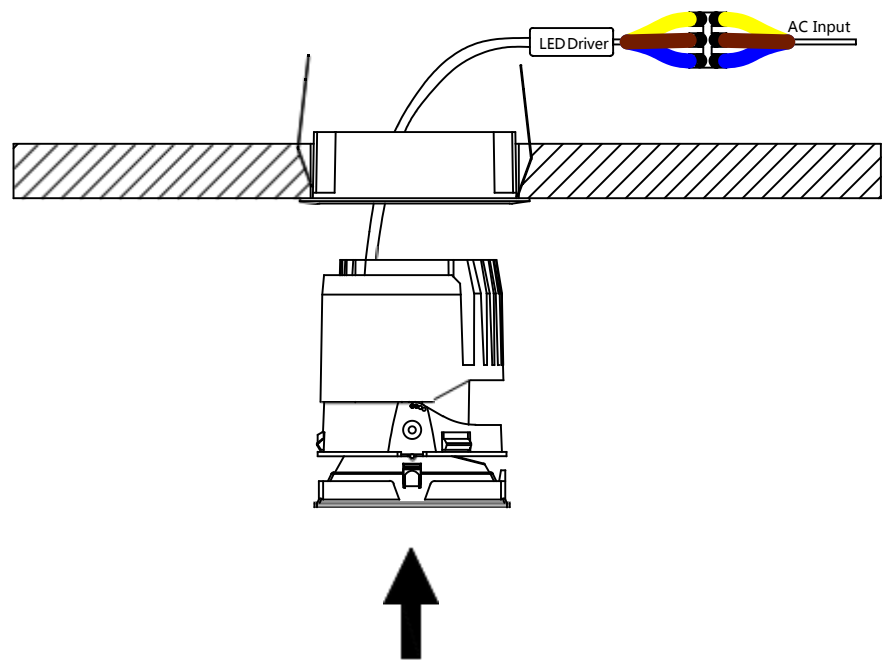
2. Fit front ring in the hole.

③



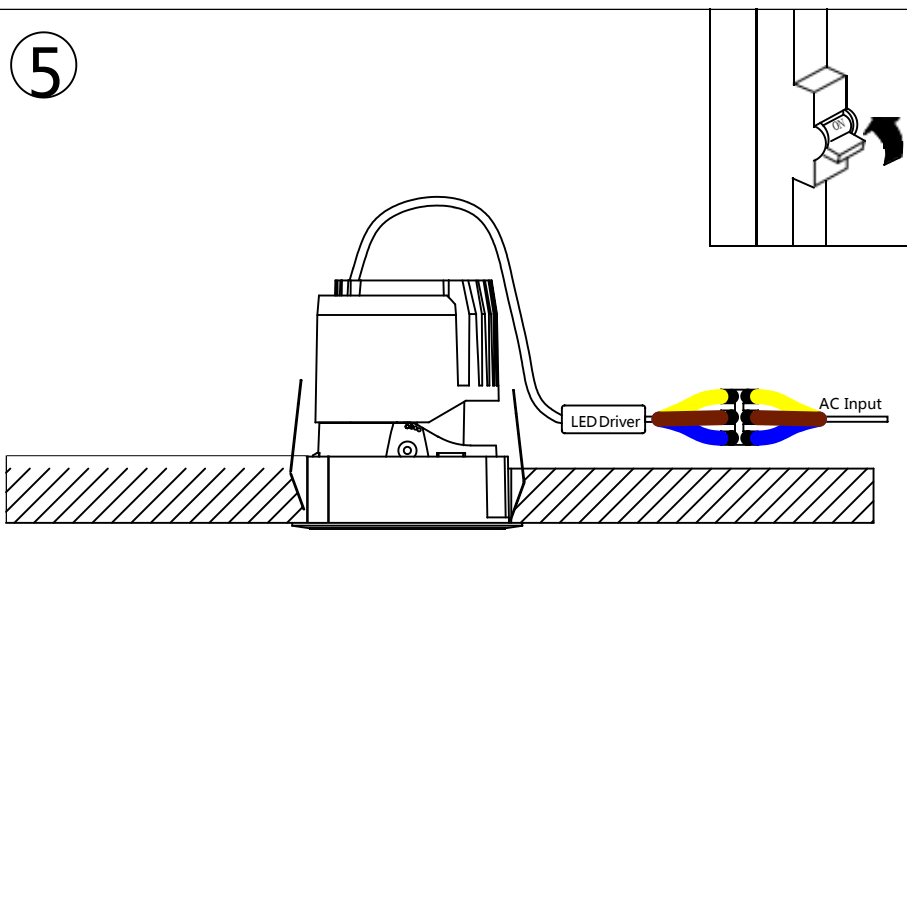
3. Connect wire.

④



4. Fit light engine in front ring, ensure light engine is tightly fixed.

⑤



5. Installation is complete.