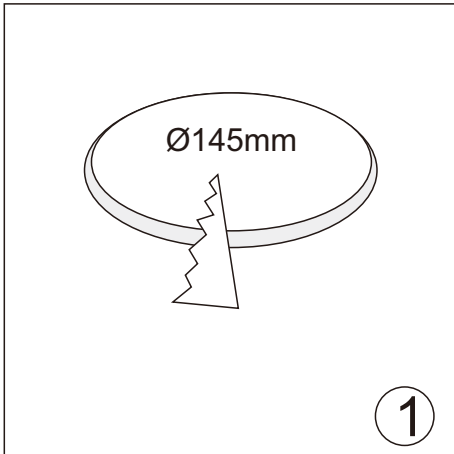
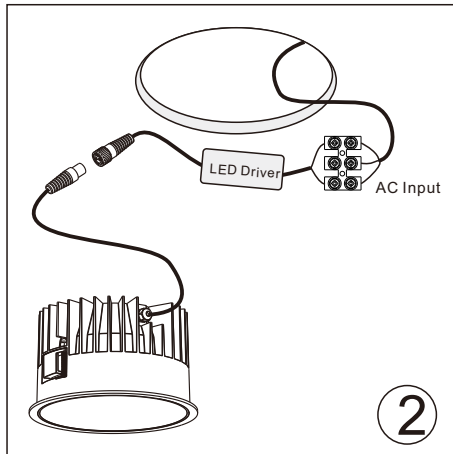


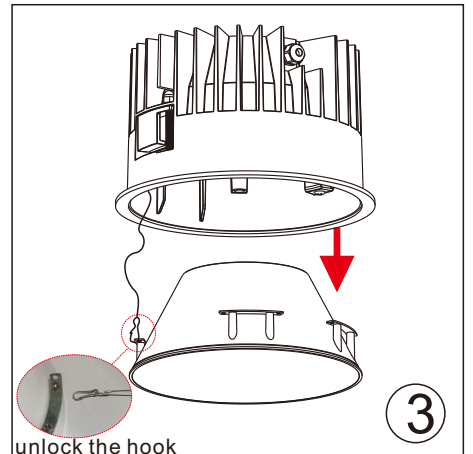
# DP145R Installation Instruction



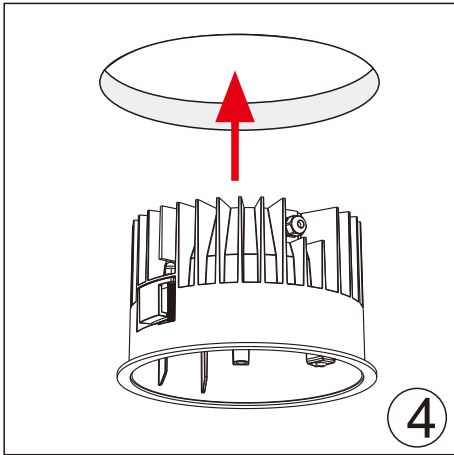
Ceiling Cut Hole Ø145mm



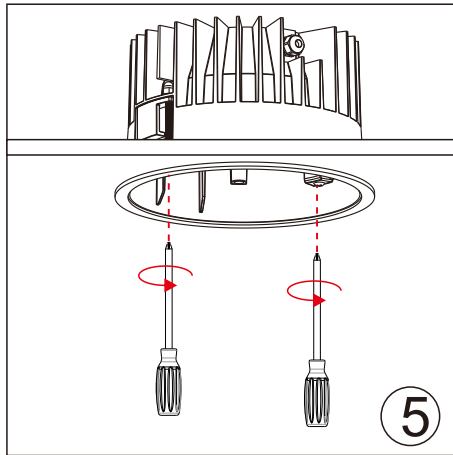
Connect Wire



Unlock and take out the front ring.



Put the lamp into the cut hole.



Use the screw driver to tighten the screw.

