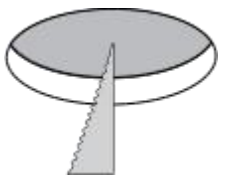



ALRP35/ALRP45/ALRP55 Installation Instruction

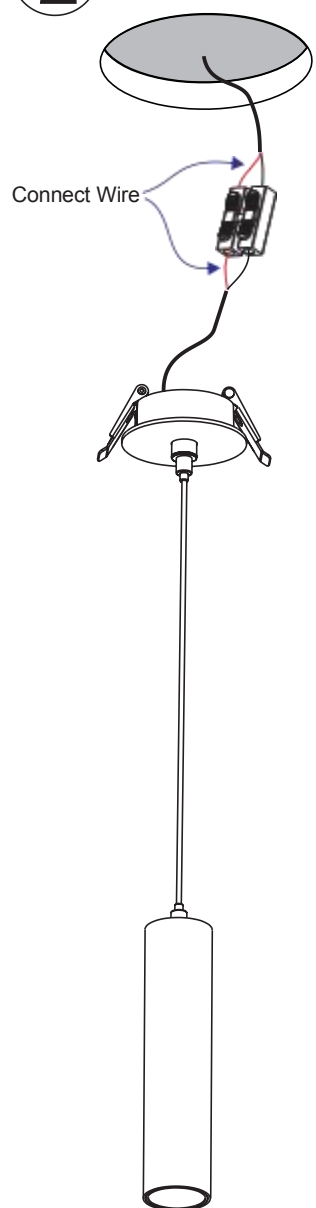
1



Cut hole $\varnothing 55\text{mm}$




2



Connect Wire

3



4

Finish

